

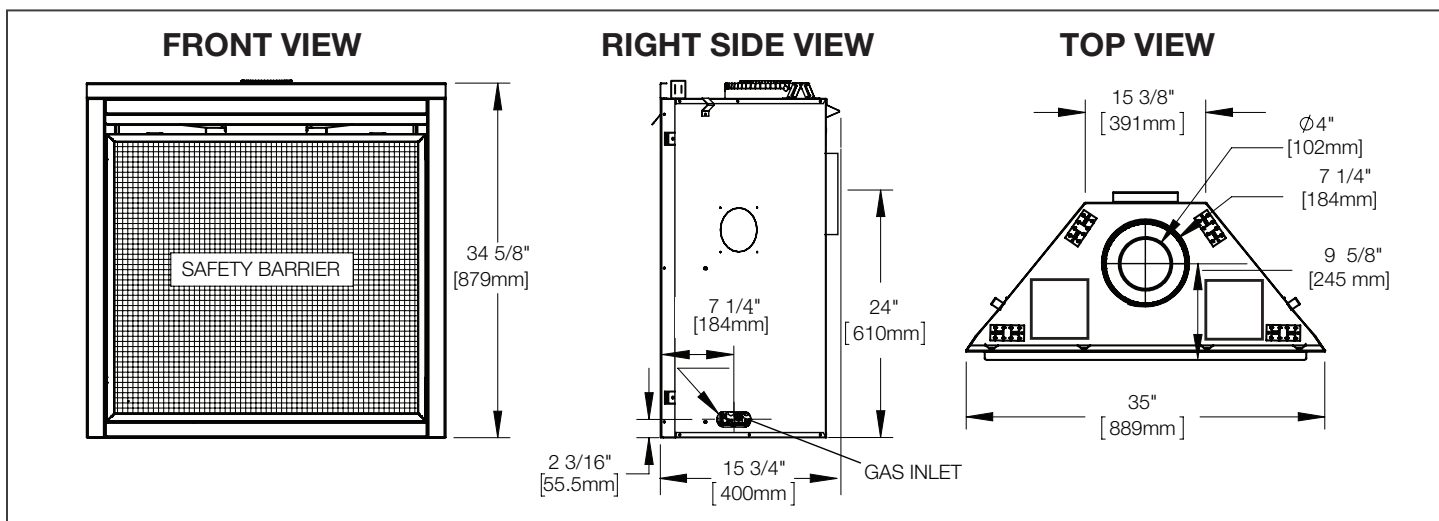
BX36 DIRECT VENT GAS FIREPLACE



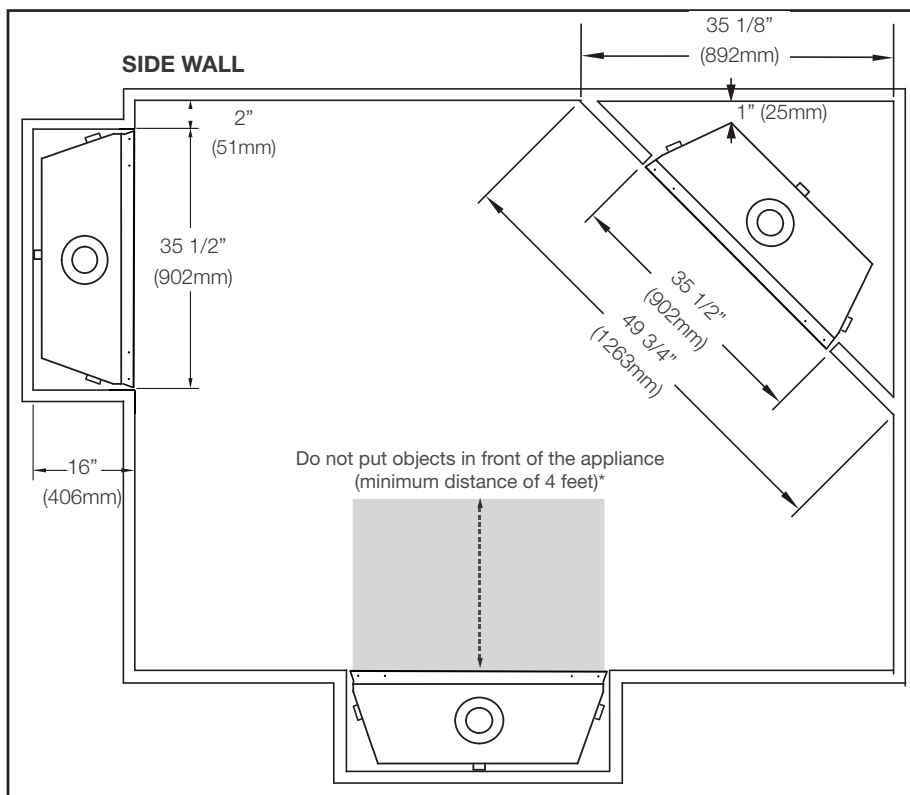
Specifications

Model	BTU	Width		Height		Depth		Glass Size
		Actual	Framing	Actual	Framing	Actual	Framing	
BX36	26,000 (NG)	35	35 1/2	34 5/8	35	15 3/4	16	30 11/16 x 23 11/16
BX36	25,000 (P)							

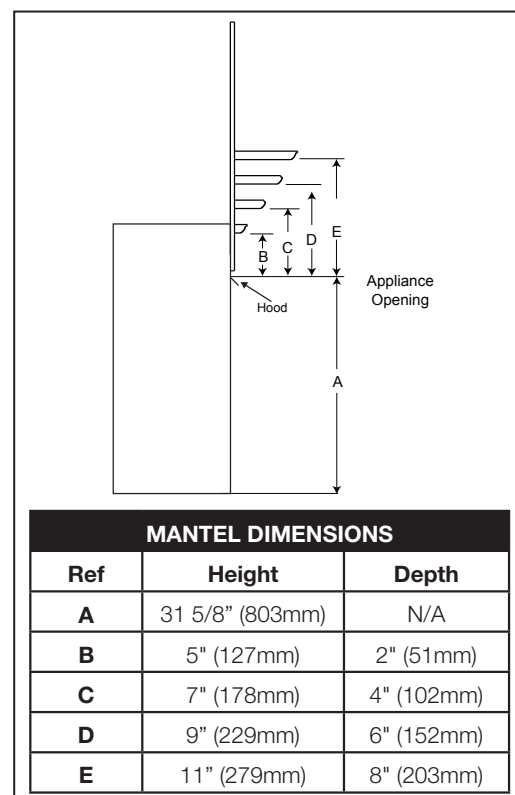
Dimensions



Appliance Location



Combustible Mantel Clearances

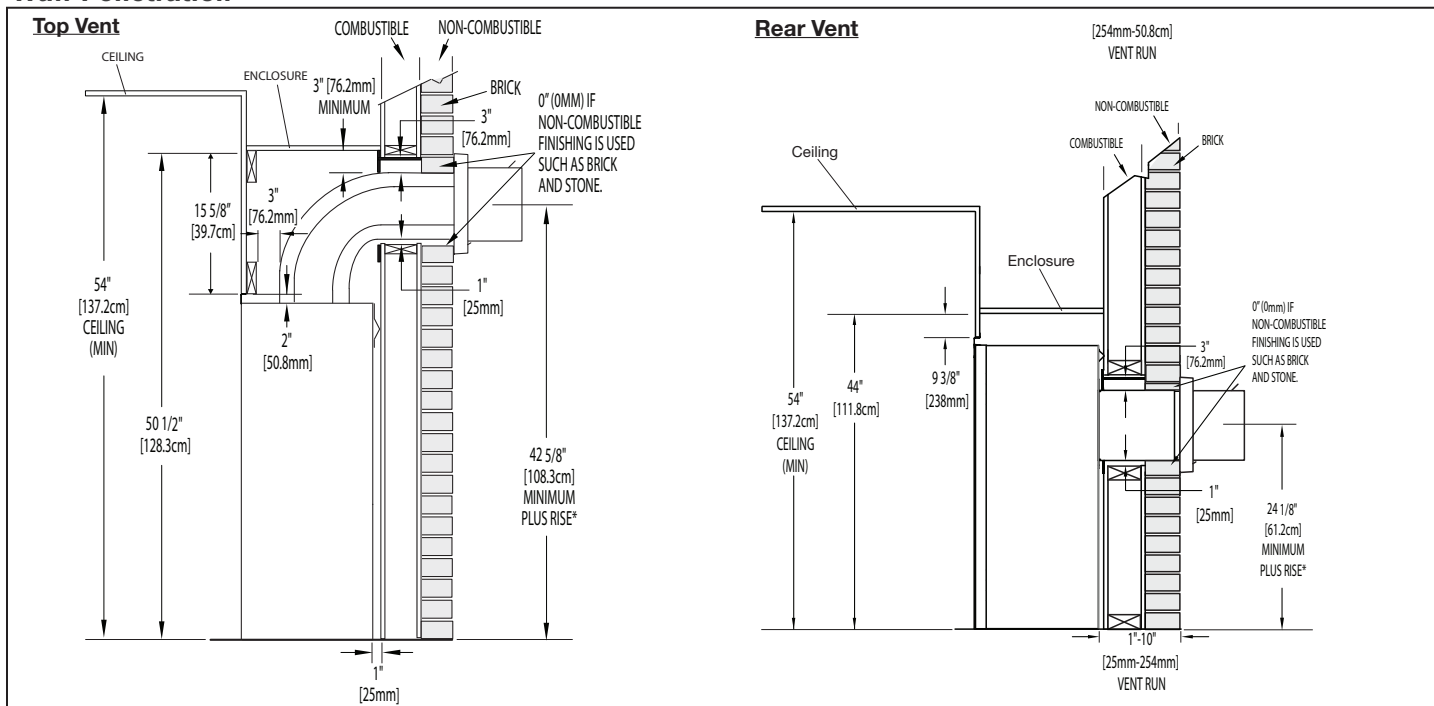


BX36 DIRECT VENT GAS FIREPLACE



Product information provided is not complete and is subject to change without notice. Please consult the installation manual for the most up to date installation information.

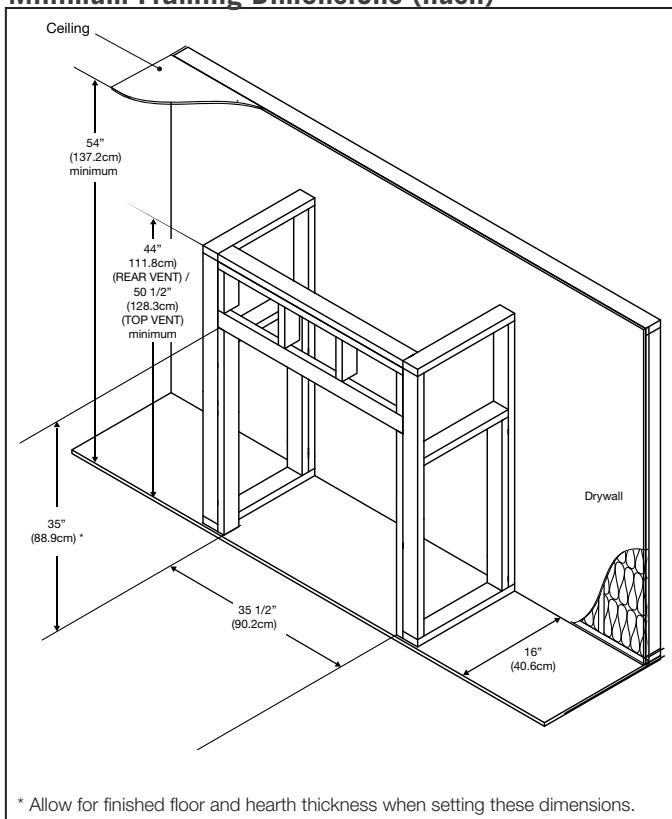
Wall Penetration



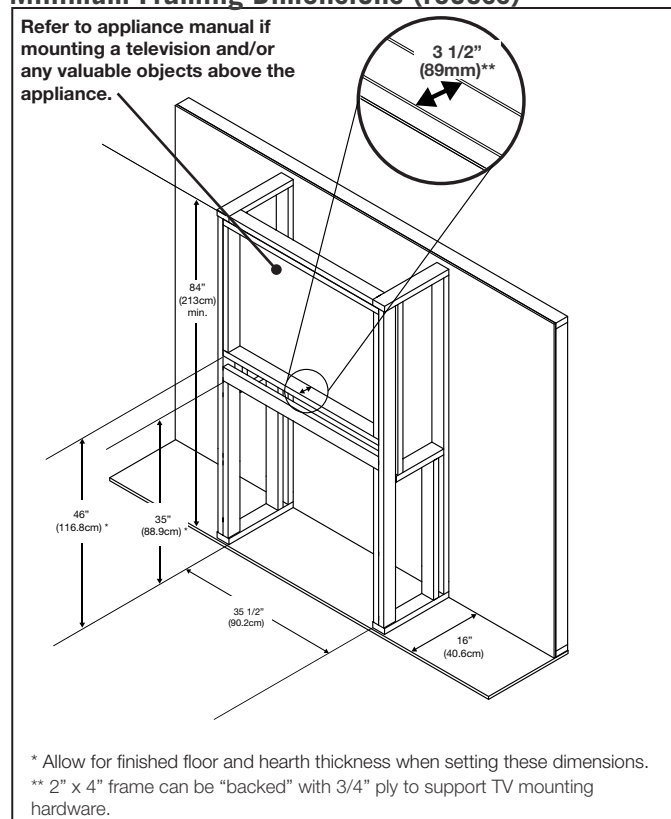
note:

Vent Sections: When passing through a wall, use the appropriate firestop spacer, use W010-3440 (not supplied) for flex venting or 4DHFSN (not supplied) for rigid venting. When passing through a ceiling, use firestop spacer W500-0292 (not supplied) for flex venting or 4DFS (not supplied) for rigid venting. **For venting and minimum clearance to combustibles, refer to appliance manual.**

Minimum Framing Dimensions (flush)



Minimum Framing Dimensions (recess)



W415-2993 / A-1 / 01.02.24

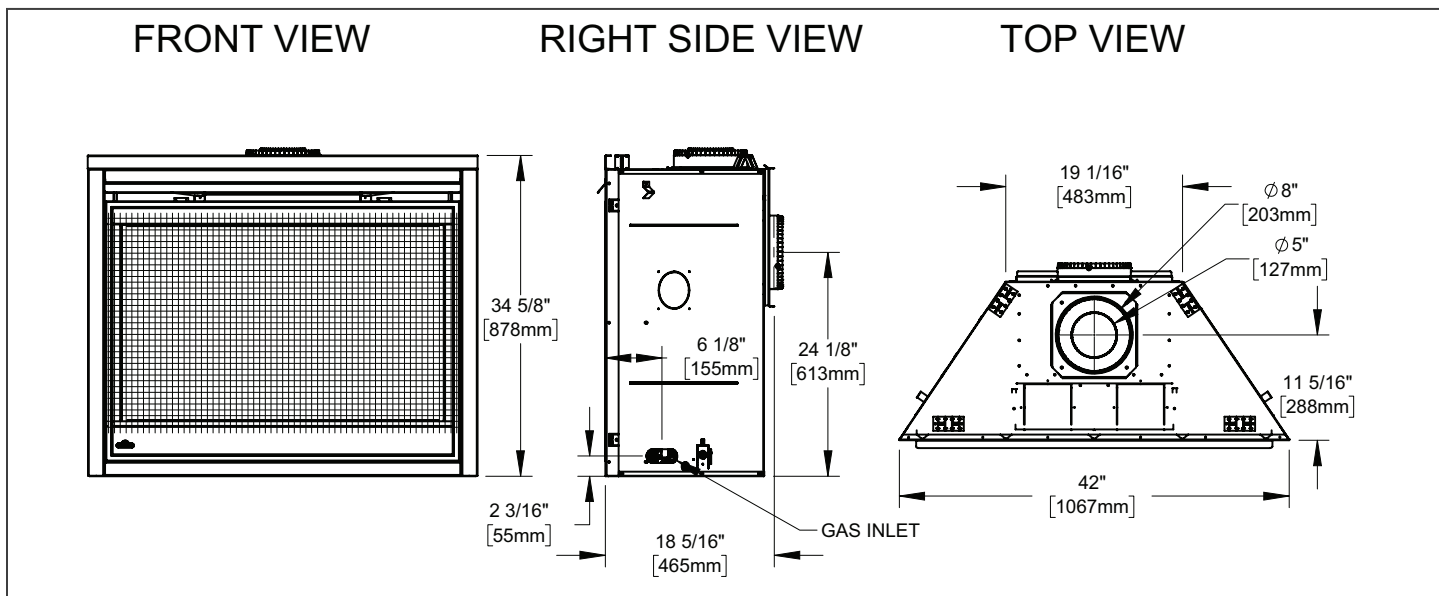
BX42 DIRECT VENT GAS FIREPLACE



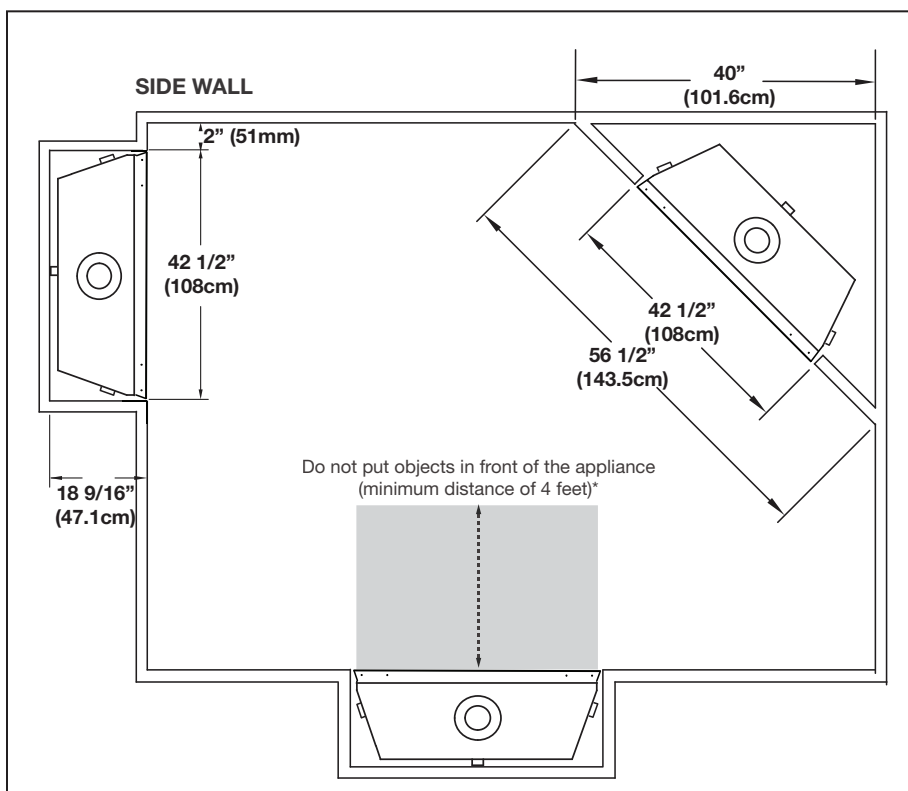
Specifications

Model	BTU	Width		Height		Depth		Glass Size
		Actual	Framing	Actual	Framing	Actual	Framing	
BX42NTRE	30,000	42	42 1/2	34 5/8	41 1/8	18 5/16	18 9/16	37 11/16 x 23 11/16
BX42PTRE								

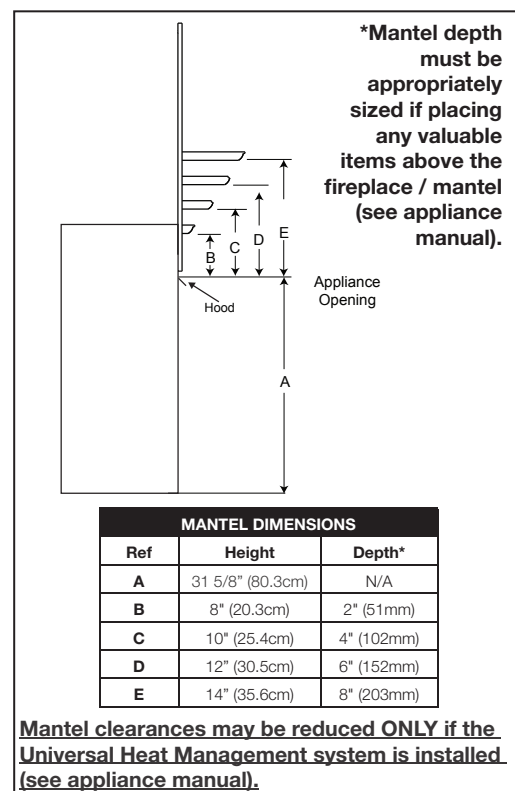
Dimensions



Appliance Location



Combustible Mantel Clearances



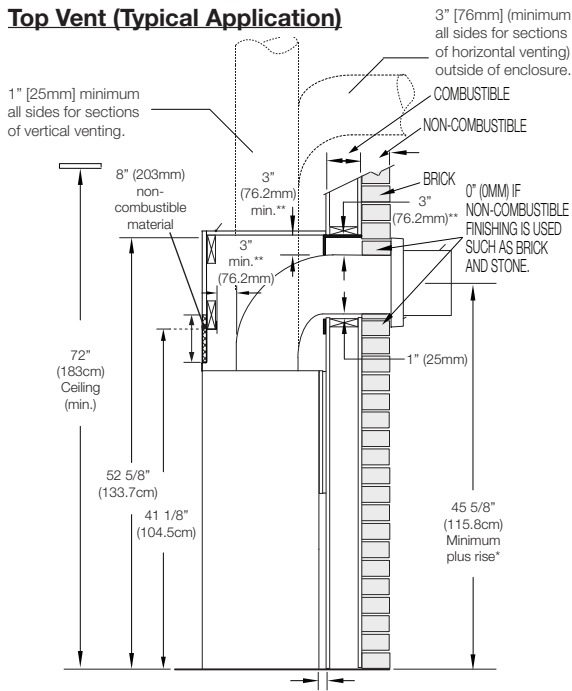
BX42 DIRECT VENT GAS FIREPLACE



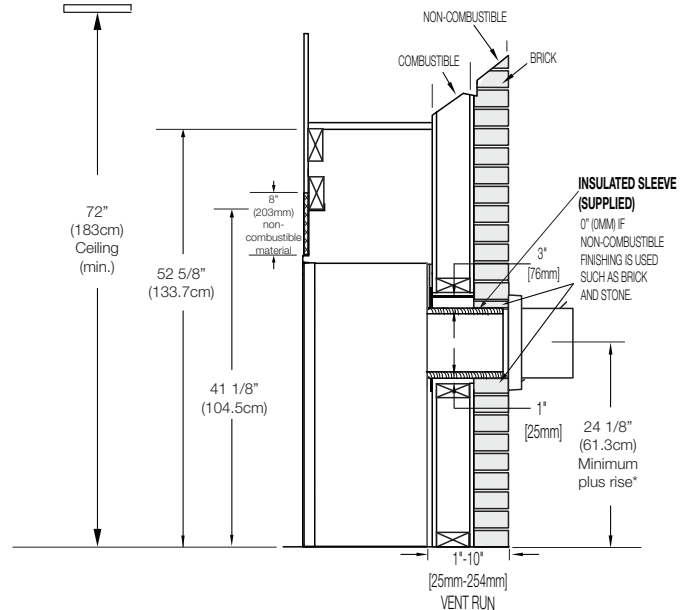
Product information provided is not complete and is subject to change without notice. Please consult the installation manual for the most up to date installation information.

Wall Penetration

Top Vent (Typical Application)



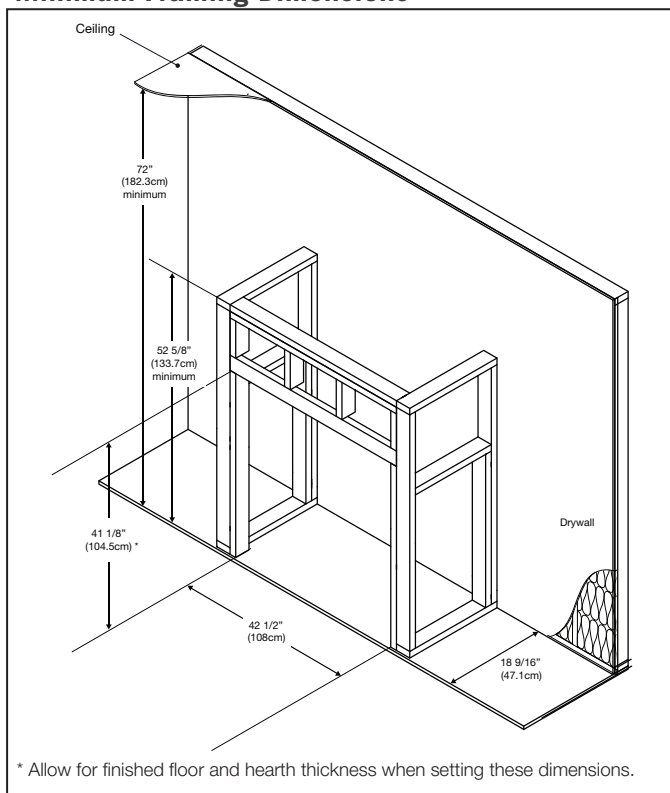
Minimum Rear Vent Clearances for Typical Applications



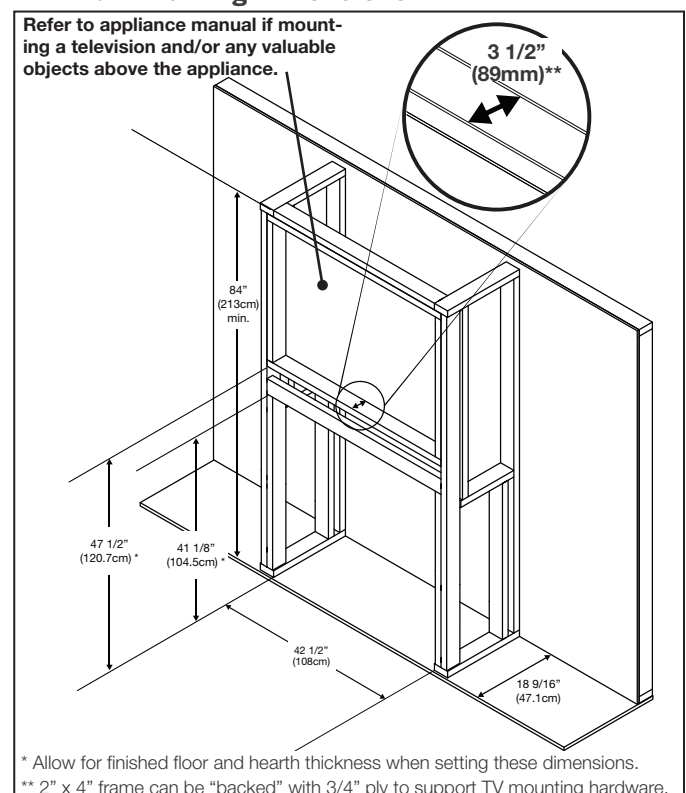
note:

Vent Sections: When passing through a wall, use the appropriate firestop spacer W010-4479 (not supplied) for flex venting or 5DHFSN (not supplied) for rigid venting. When passing through a ceiling, use firestop spacer W500-0028 (not supplied) for flex venting or 5DFS (not supplied) for rigid venting. **For venting and minimum clearance to combustibles, refer to appliance manual.**

Minimum Framing Dimensions



Minimum Framing Dimensions



W415-2994 / 01.14.21