

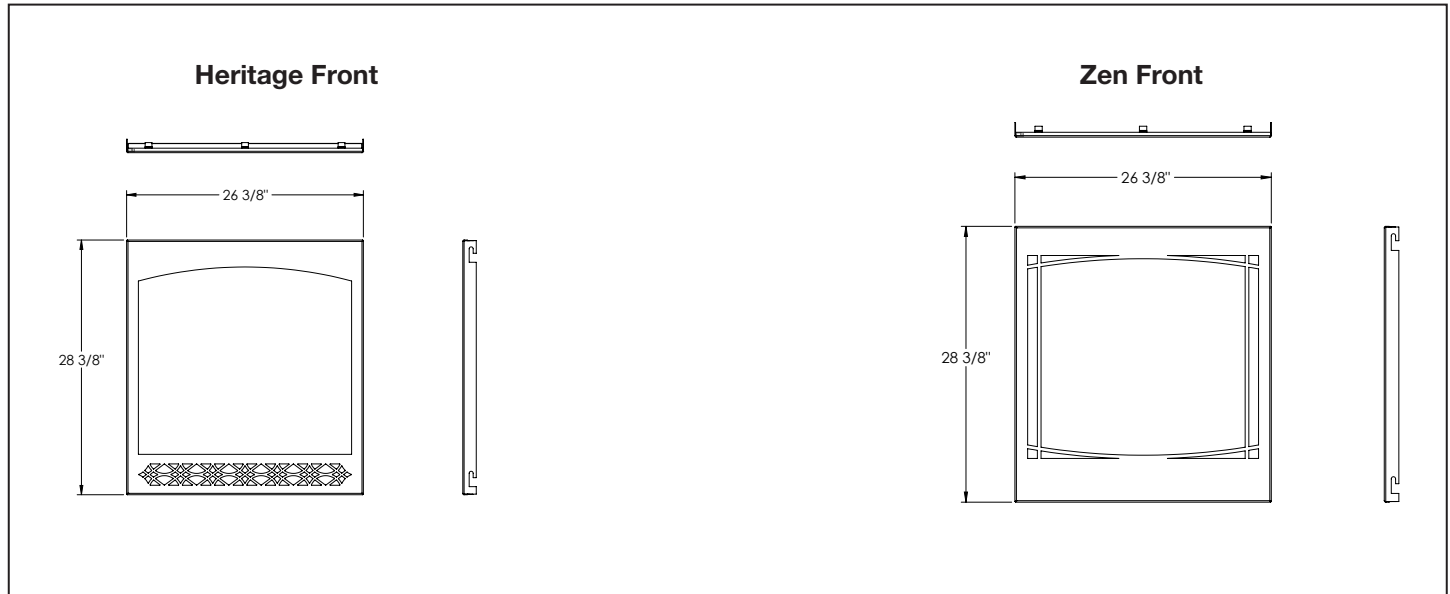
ASCENT™ 30 DIRECT VENT GAS FIREPLACE



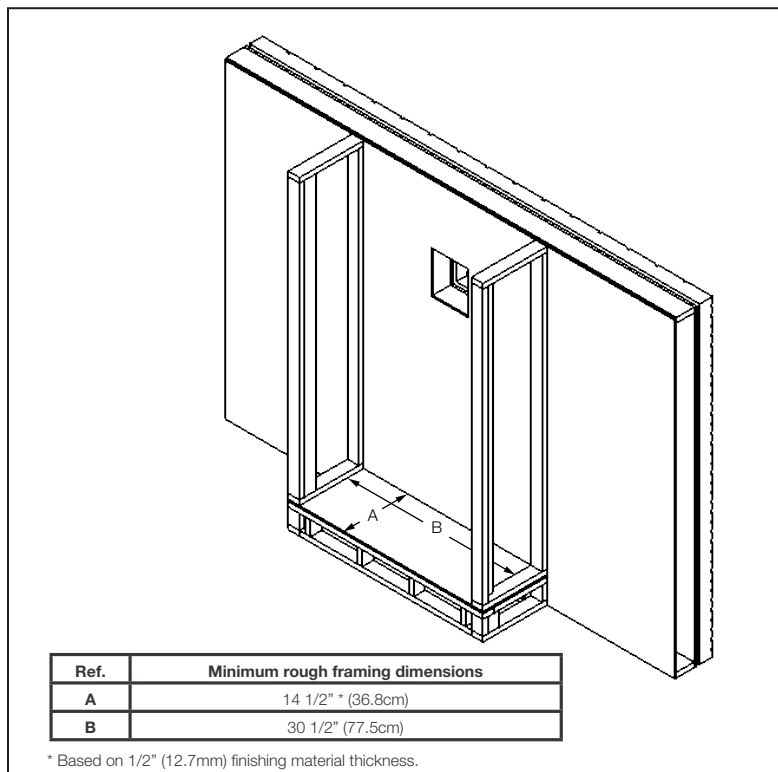
Specifications

Model	BTU	Width		Height		Depth		Viewing Area
		Actual	Framing	Actual	Framing	Actual	Framing	
B30-1	15,000	30	30 1/2	34 5/8	35	14	14 1/2	23 11/16 X 25 11/16

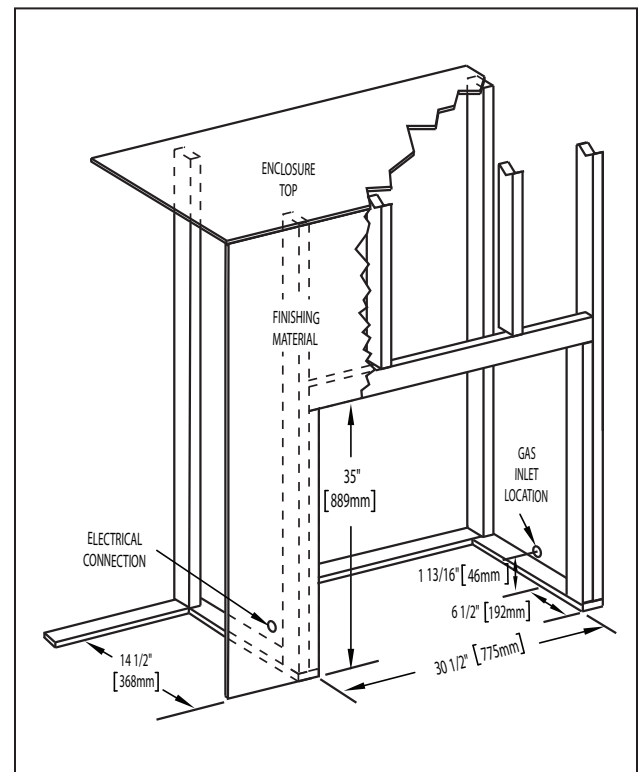
Front Options



Rough Framing



Finish Framing

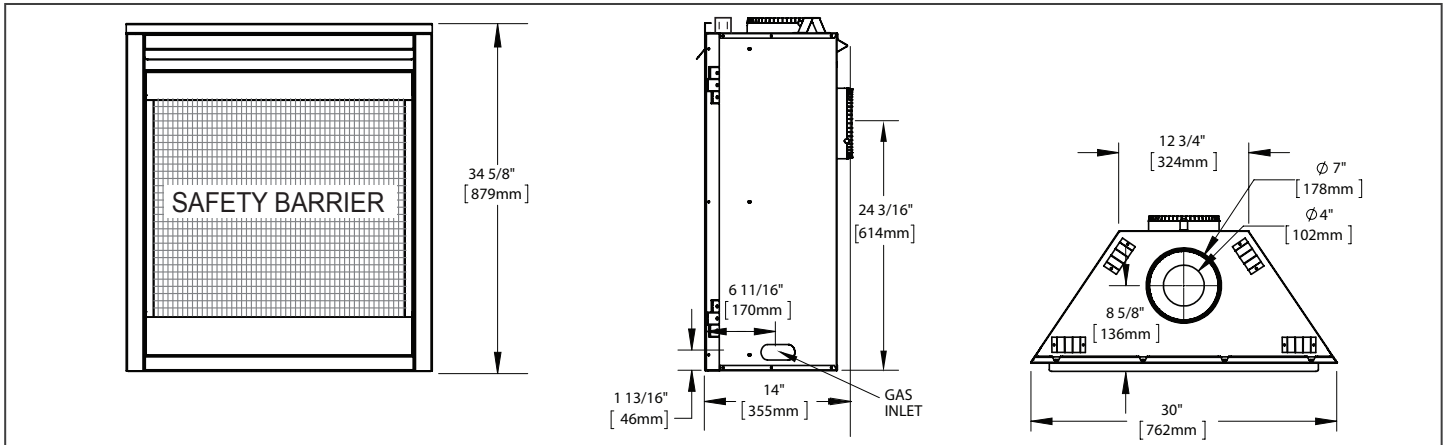


ASCENT™ 30 DIRECT VENT GAS FIREPLACE

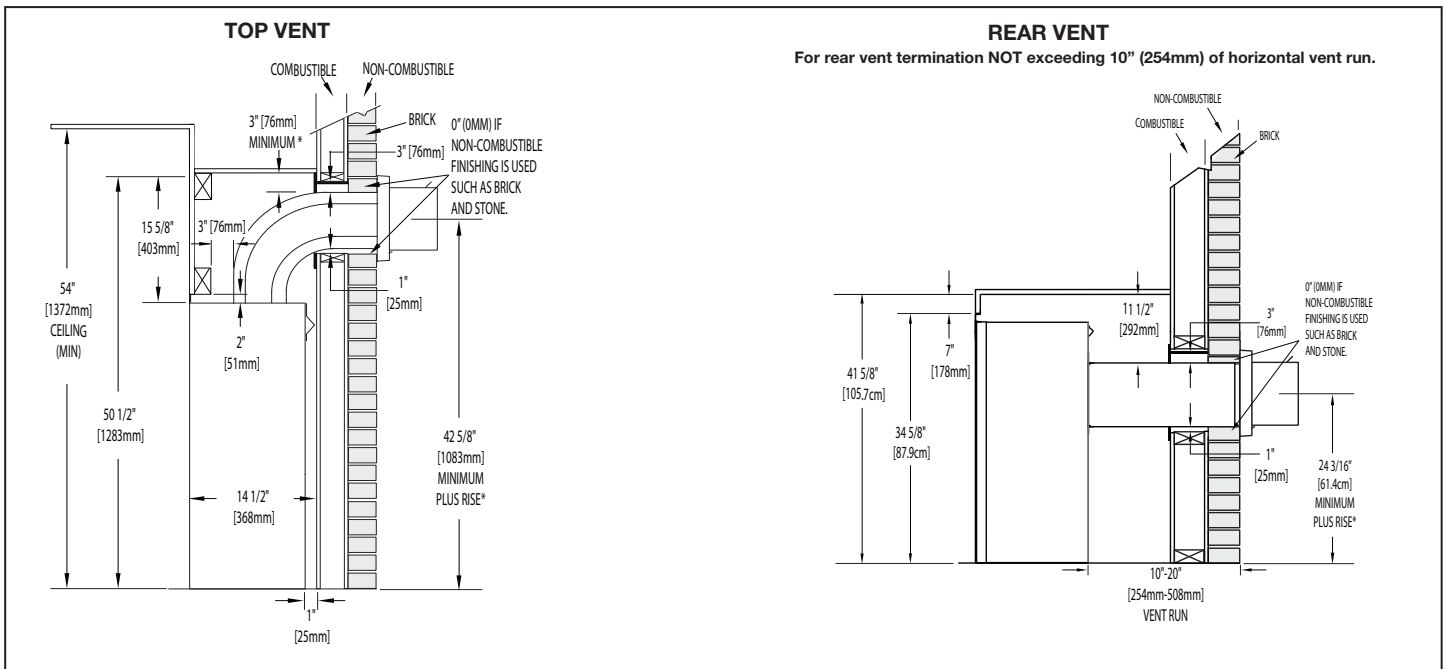


Product information provided is not complete and is subject to change without notice. Please consult the installation manual for the most up to date installation information.

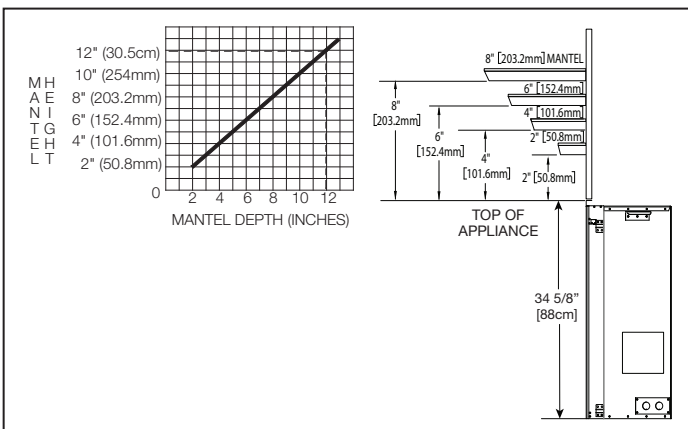
Dimensions



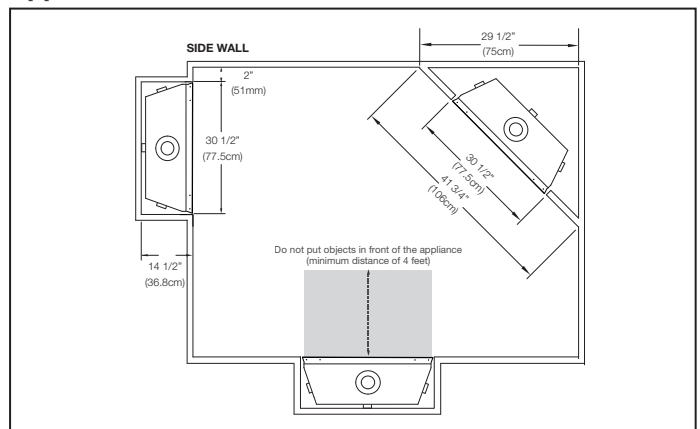
Wall Penetration



Combustible Mantel Clearances



Appliance Location



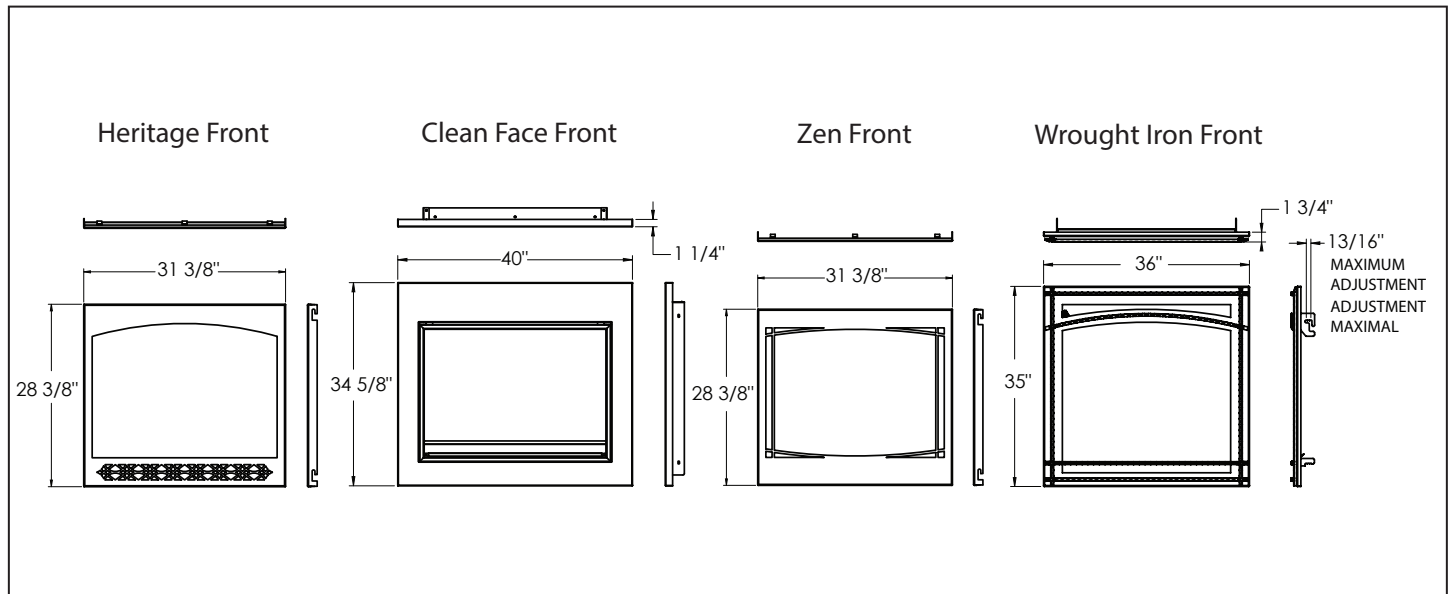
ASCENT™ 36-1 DIRECT VENT GAS FIREPLACE



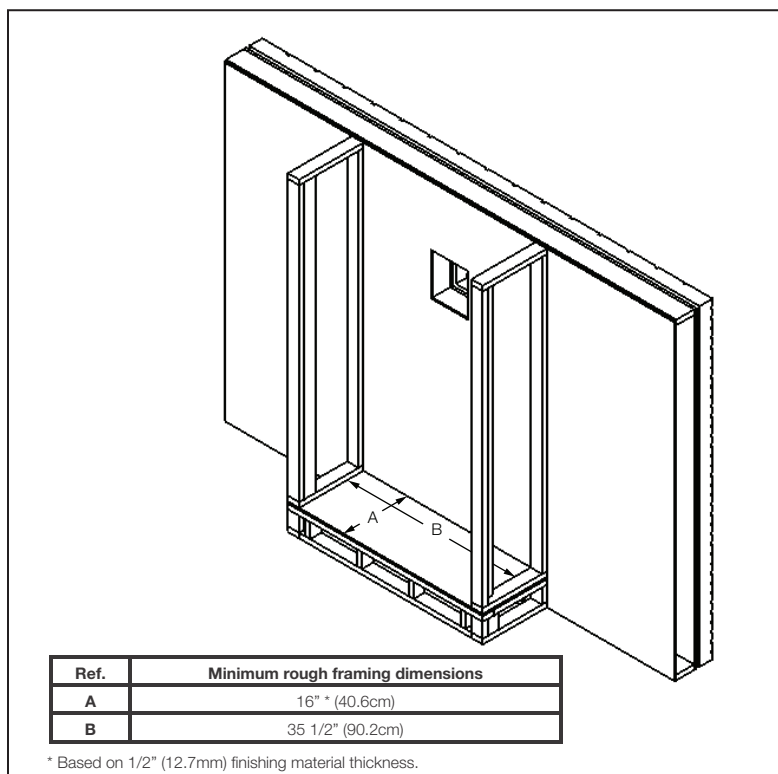
Specifications

Model	BTU	Width		Height		Depth		Viewing Area
		Actual	Framing	Actual	Framing	Actual	Framing	
B36-1	18,000	35	35 1/2	34 5/8	35	15 3/4	16	23 11/16 X 30 11/16

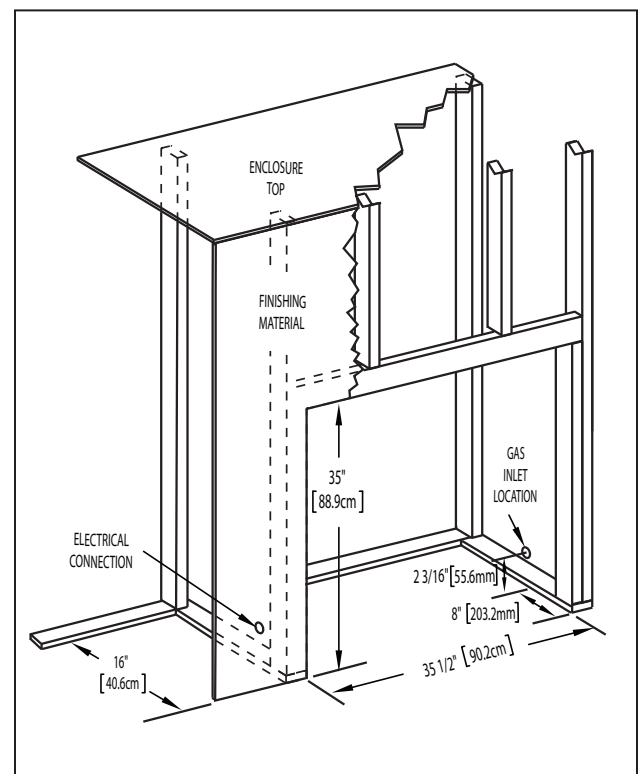
Front Options



Rough Framing



Finish Framing

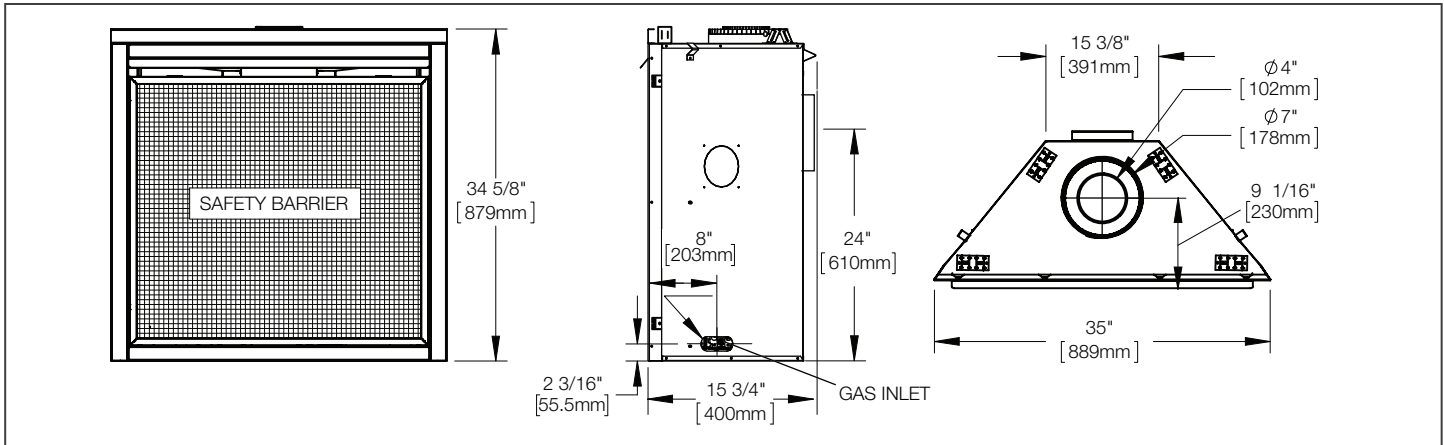


ASCENT™ 36-1 DIRECT VENT GAS FIREPLACE

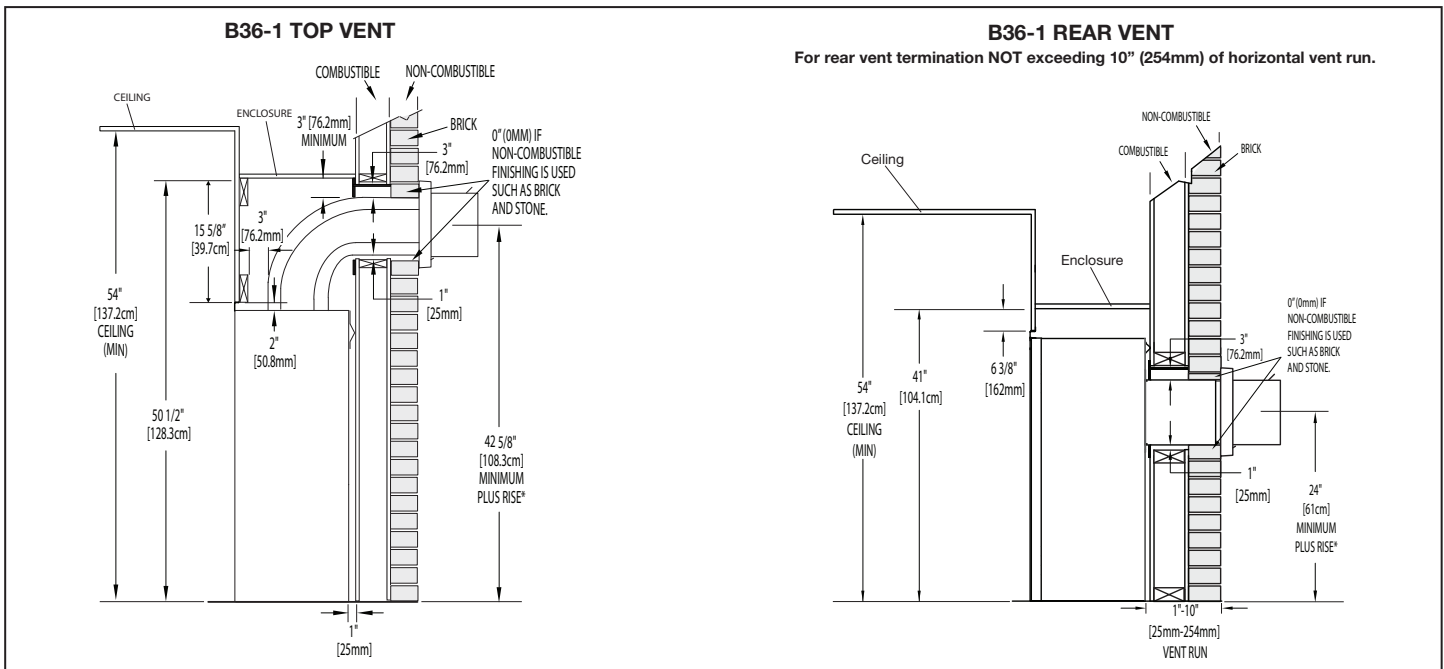


Product information provided is not complete and is subject to change without notice. Please consult the installation manual for the most up to date installation information.

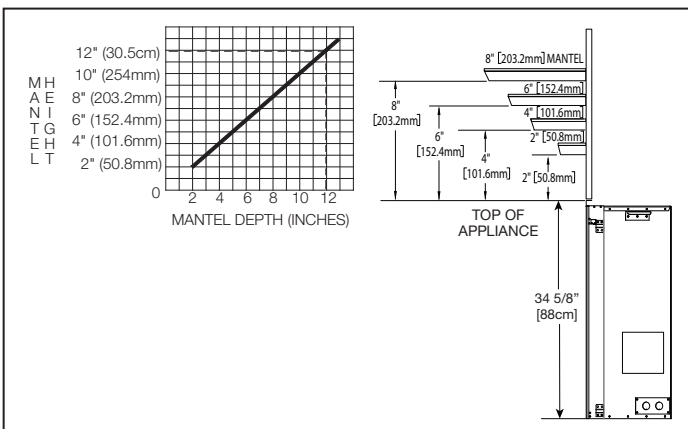
Dimensions



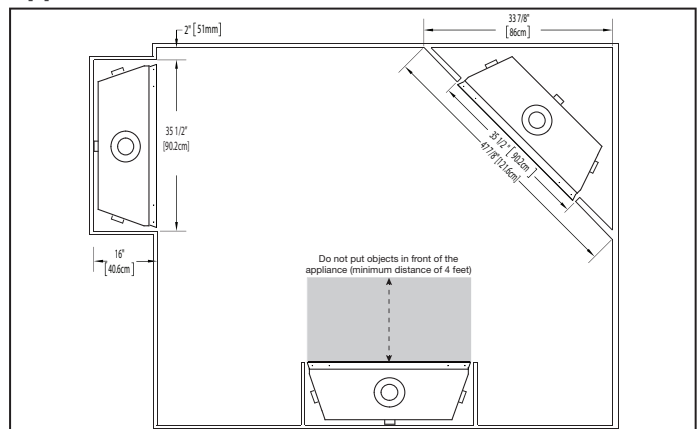
Wall Penetration



Combustible Mantel Clearances



Appliance Location



W415-2848 / 02.10.20

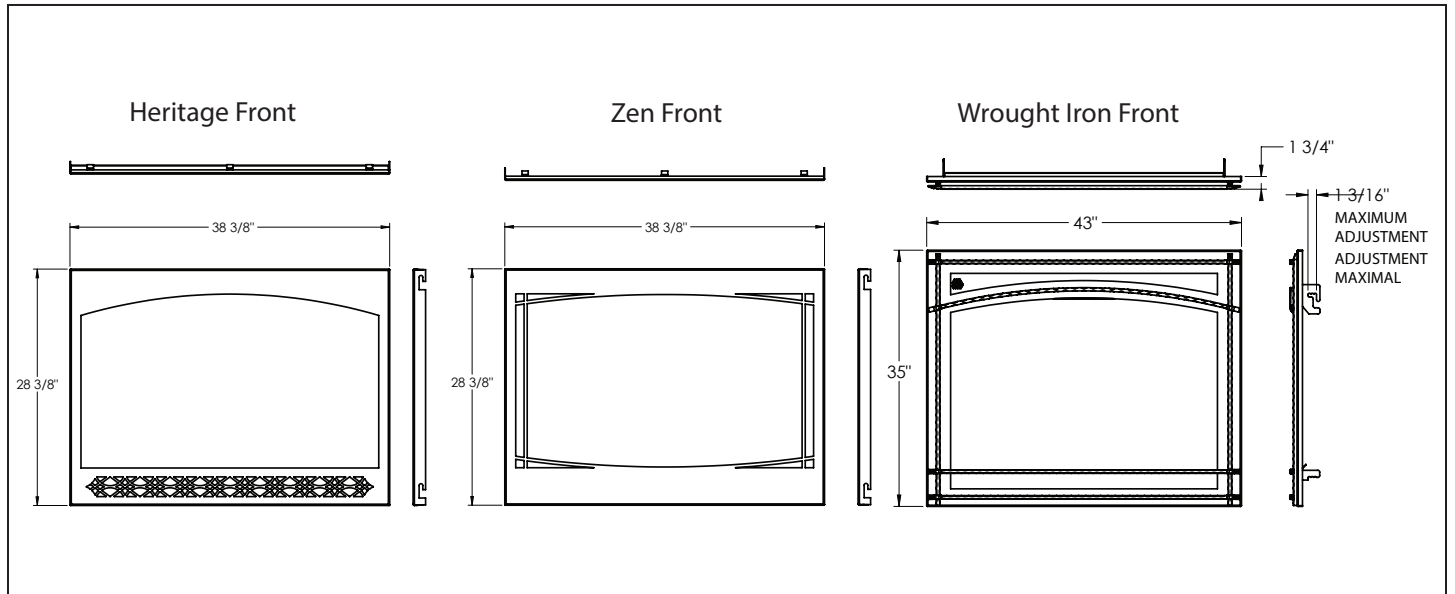
ASCENT™ 42 DIRECT VENT GAS FIREPLACE



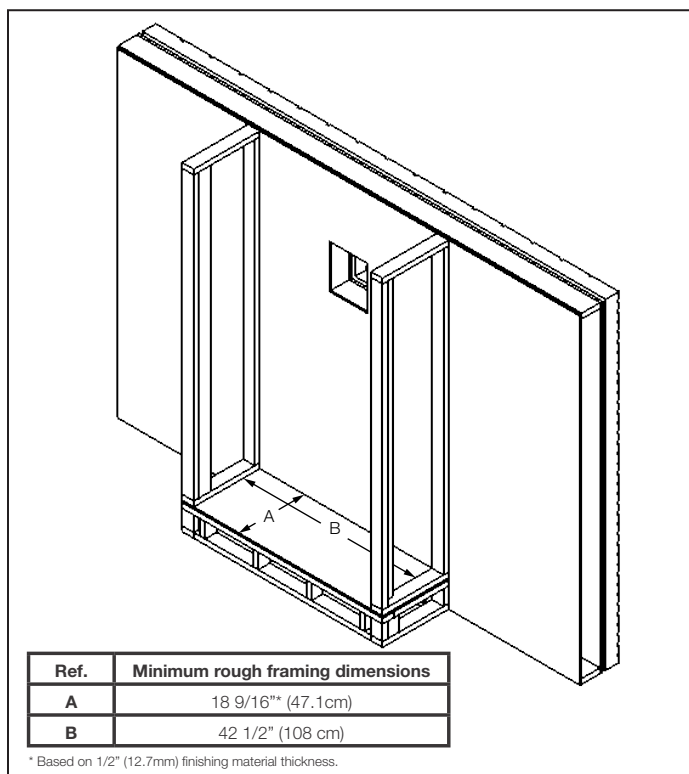
Specifications

Model	BTU	Width		Height		Depth		Viewing Area
		Actual	Framing	Actual	Framing	Actual	Framing	
B42TR	22,000	42	42 1/2	34 5/8	35	18 5/16	18 9/16	23 11/16 X 37 11/16

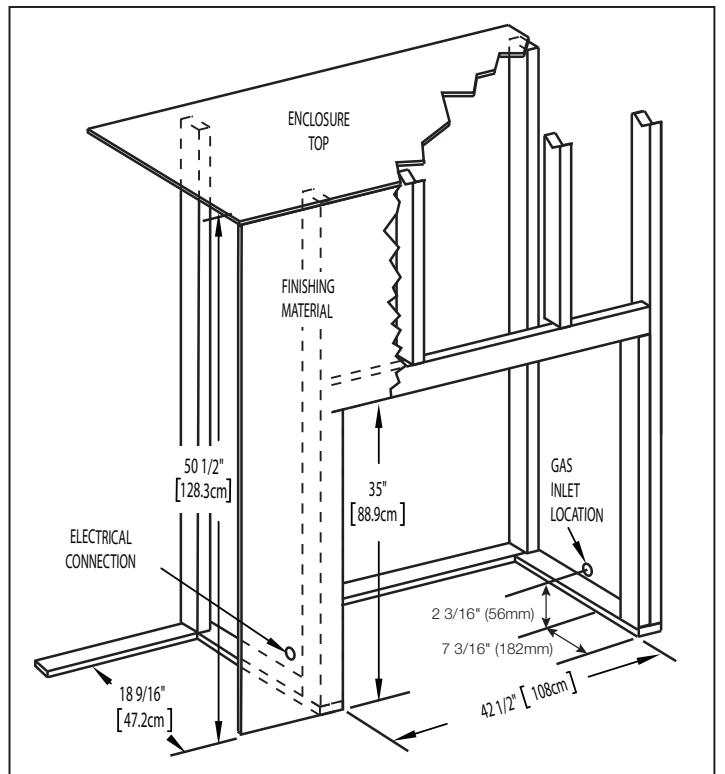
Front Options



Rough Framing



Finish Framing

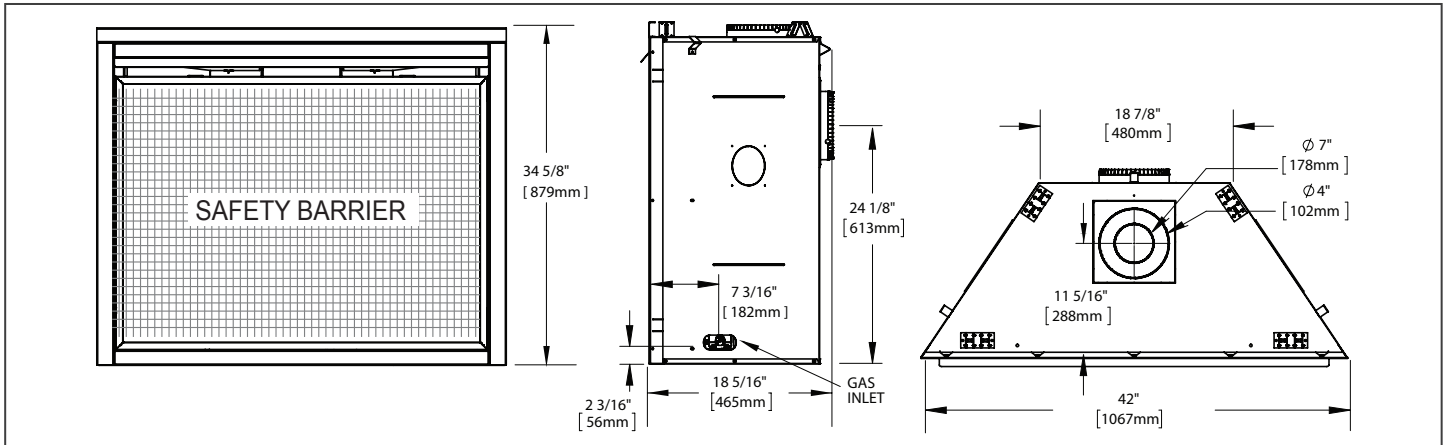


ASCENT™ 42 DIRECT VENT GAS FIREPLACE

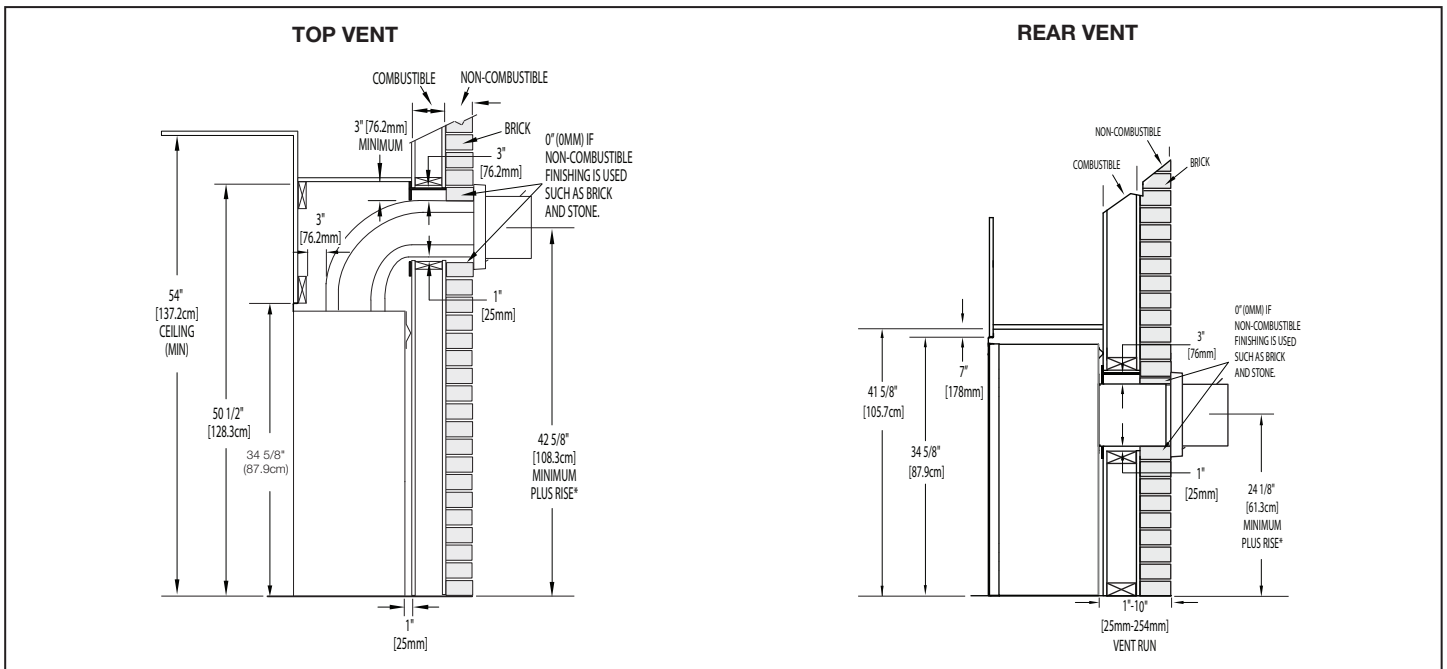


Product information provided is not complete and is subject to change without notice. Please consult the installation manual for the most up to date installation information.

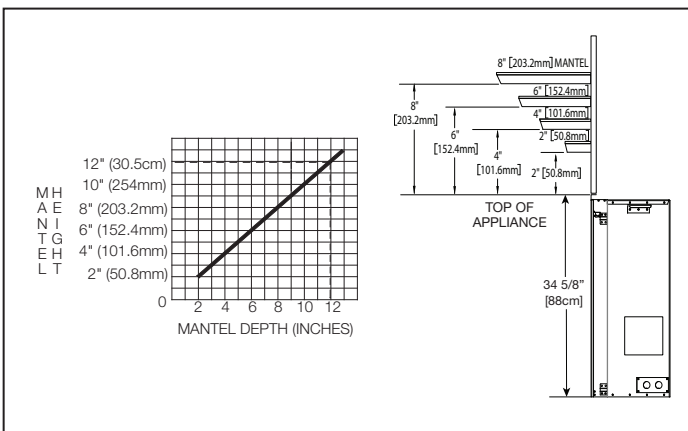
Dimensions



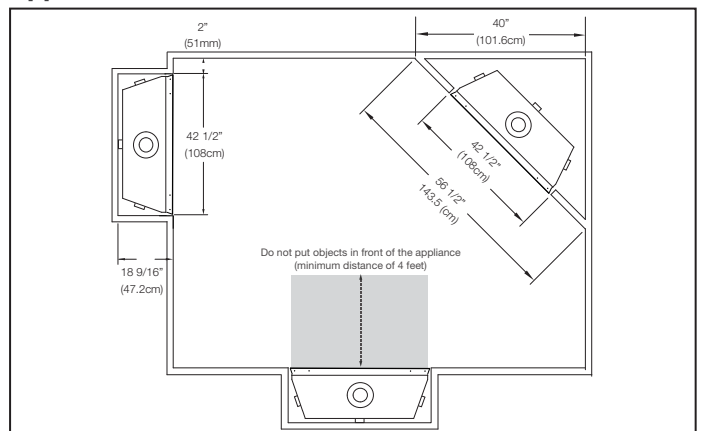
Wall Penetration



Combustible Mantel Clearances



Appliance Location



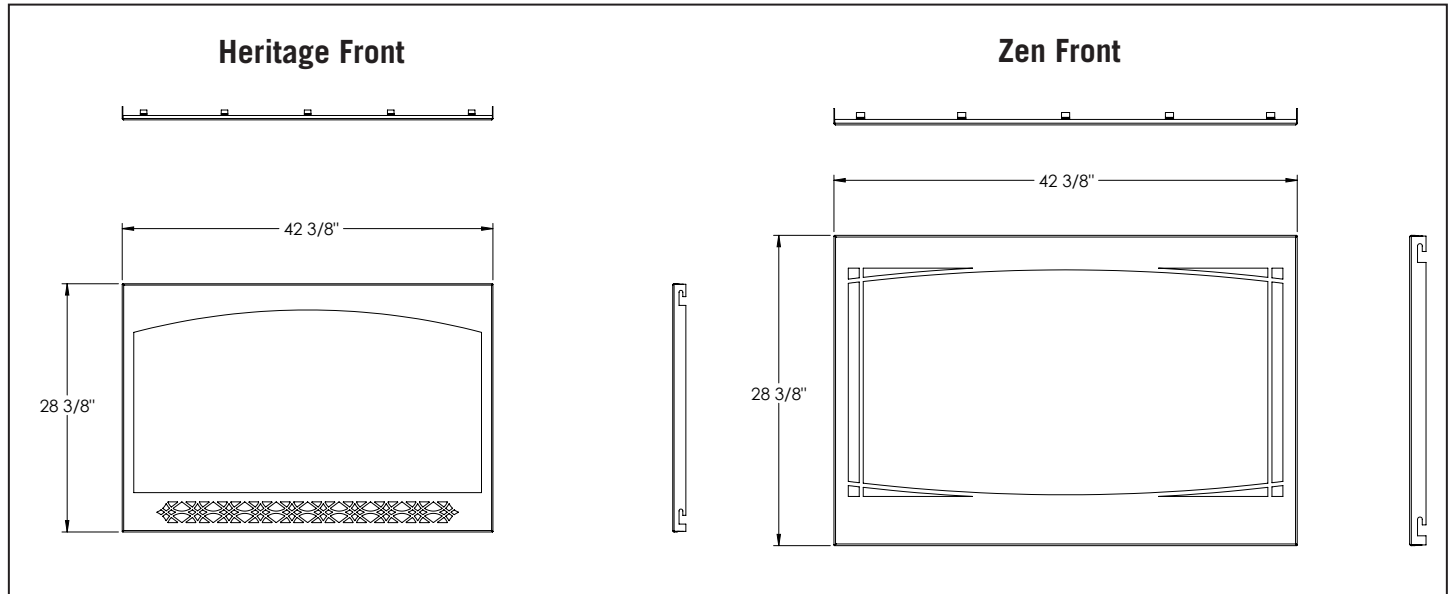
ASCENT™ 46 DIRECT VENT GAS FIREPLACE



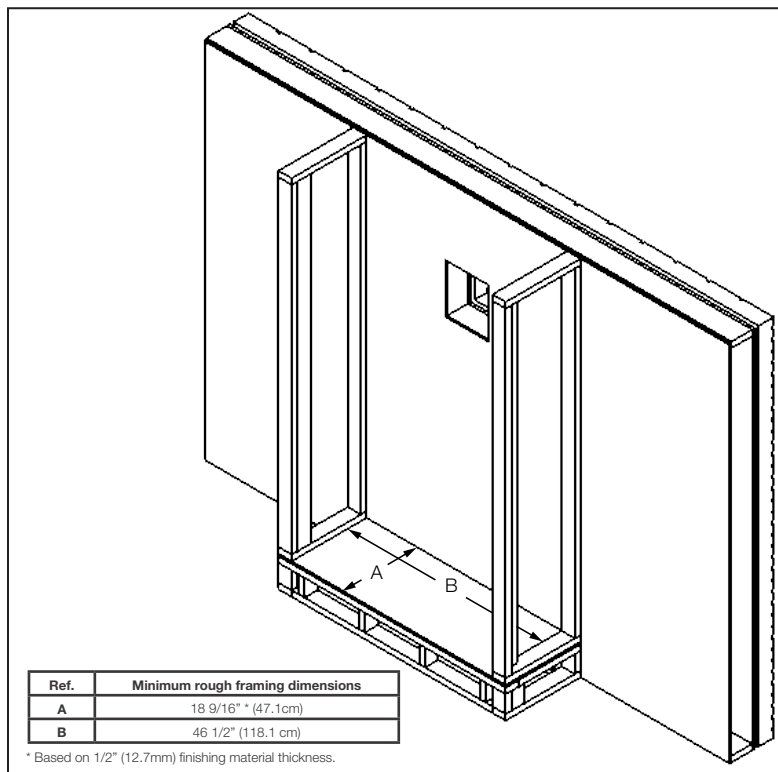
Specifications

Model	BTU	Width		Height		Depth		Viewing Area
		Actual	Framing	Actual	Framing	Actual	Framing	
B46	22,000	46	46 1/2	34 5/8	35	18 5/16	18 9/16	23 11/16 X 41 11/16

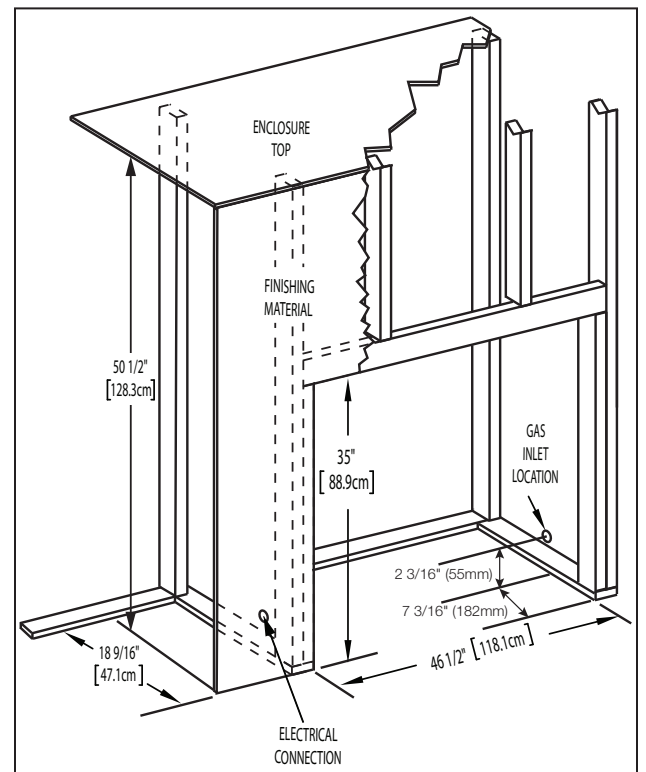
Front Options



Rough Framing



Minimum Framing Clearances

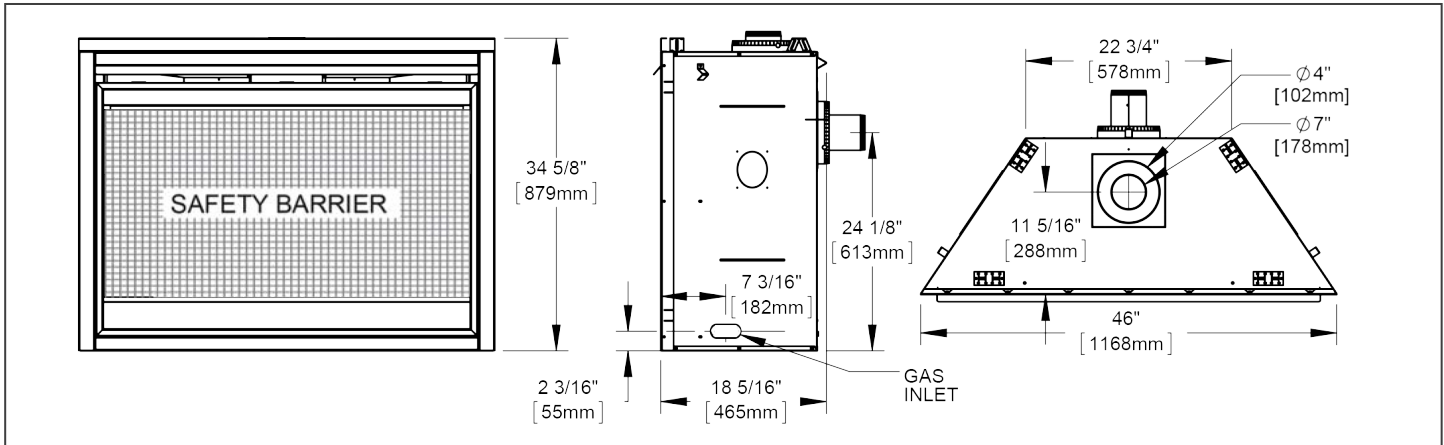


ASCENT™ 46 DIRECT VENT GAS FIREPLACE

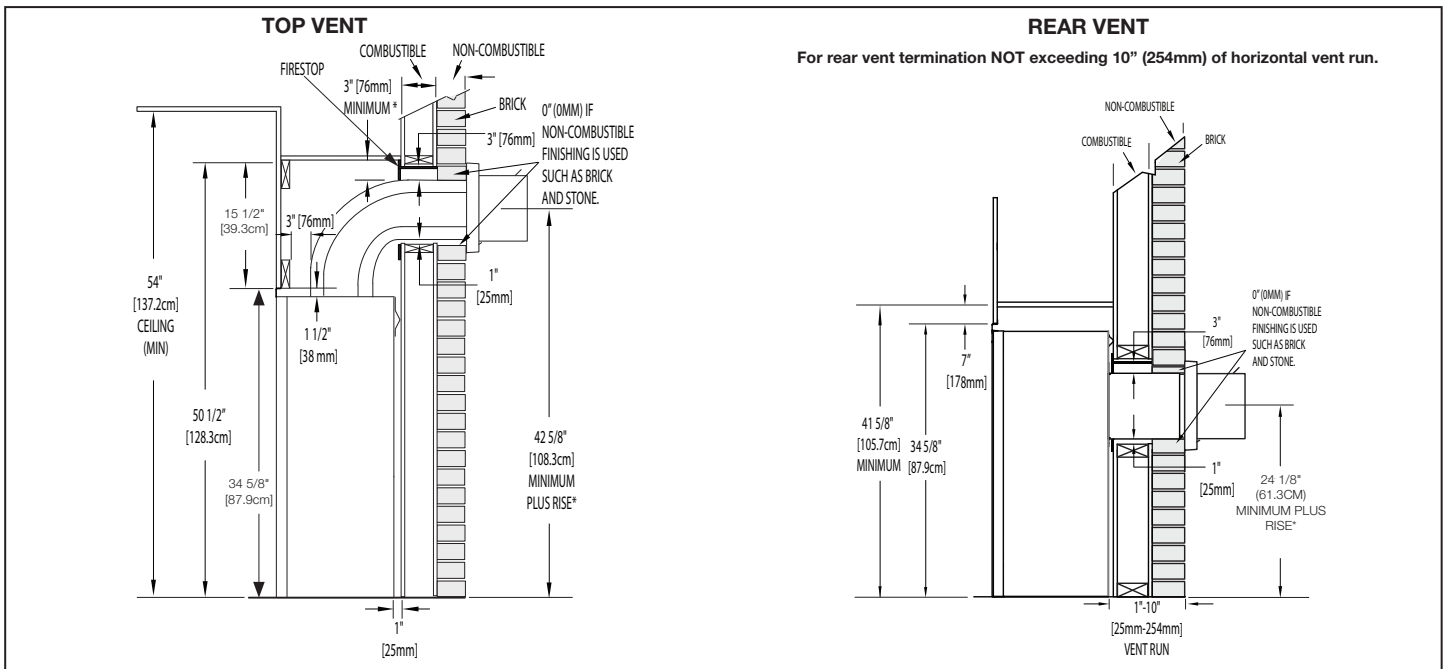


Product information provided is not complete and is subject to change without notice. Please consult the installation manual for the most up to date installation information.

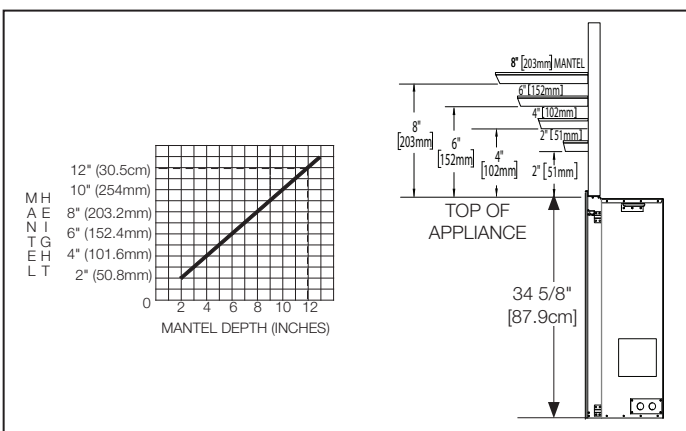
Dimensions



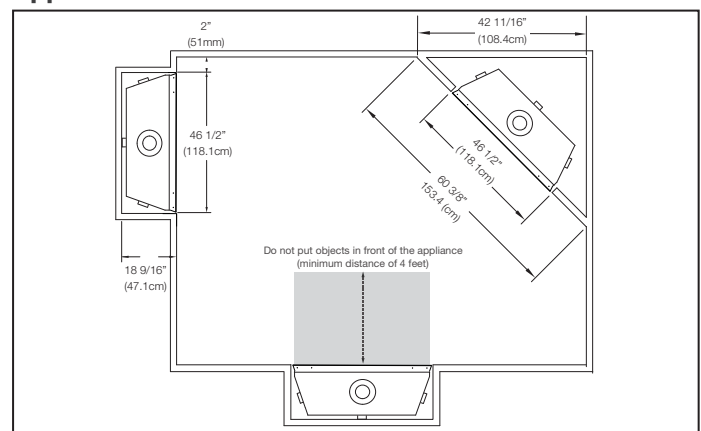
Wall Penetration



Combustible Mantel Clearances



Appliance Location



W415-1892 / 10.26.18