

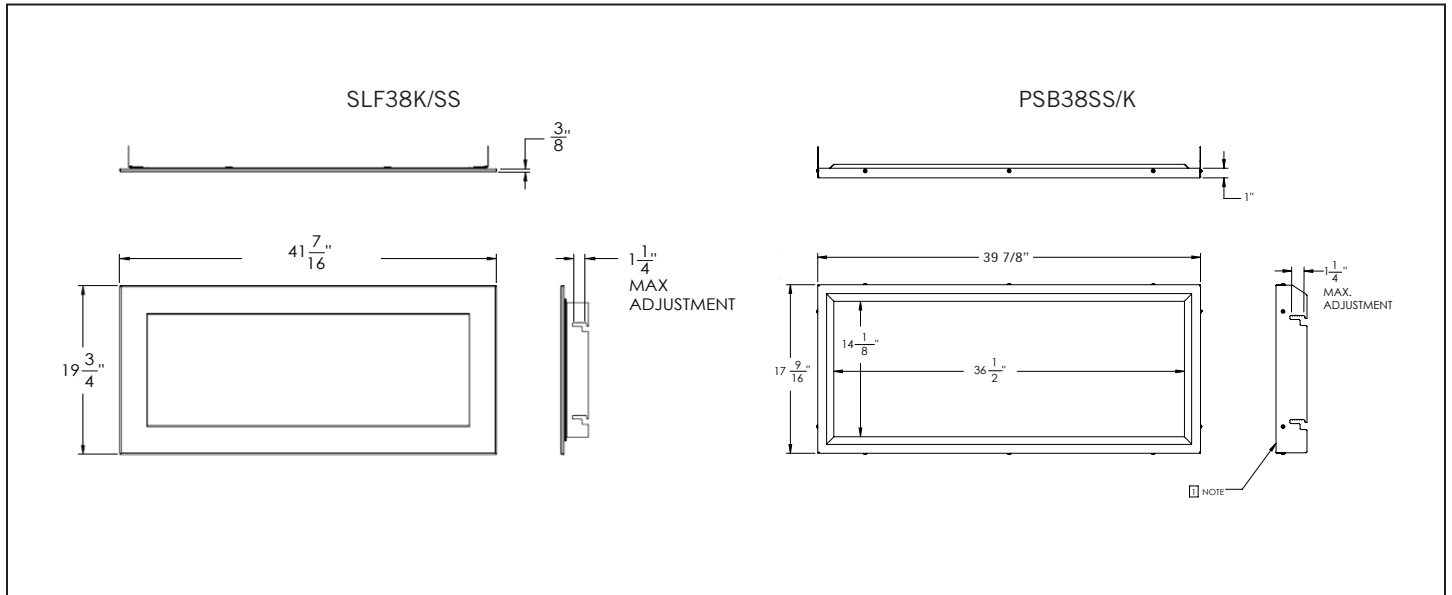
VECTOR™ 38 DIRECT VENT LINEAR GAS APPLIANCE



Specifications

Model	BTU	Width		Height		Depth		Viewing Area
		Actual	Framing	Actual	Framing	Actual	Framing	
LV38N-1	30,000	53 5/16	53 13/16	41 3/16	73	19 7/8	20 1/8	40 3/4 X 18 5/8
LV38N2-1	30,000	53 5/16	53 13/16	41 3/16	73	16 3/16	16 3/16	40 3/4 X 18 5/8

Front Options



Framing Dimensions

single-sided

note:
Before framing the appliance, ensure to install the firestop first.

note:
The LV series requires a minimum enclosure height of 73" measured from the bottom of the appliance. For temperature requirements, this area must be left unobstructed. Some venting configurations that require more vertical rise will require a larger enclosure to provide minimum vertical clearance between vent pipes and combustibles.

minimum framing

Ref	LV38-1
E	20 1/8" (51.1cm)
F	53 13/16" (136.7cm)
J	Optional - Appliance does not need to be elevated above floor
*L	73" (185.4cm)

see-thru

note:
Before framing the appliance, ensure to install the firestop first as it will not fit between the studs if installed after framing.

note:
The LV series requires a minimum enclosure height of 73" measured from the bottom of the appliance. For temperature requirements, this area must be left unobstructed. Some venting configurations that require more vertical rise will require a larger enclosure to provide minimum vertical clearance between vent pipes and combustibles.

minimum framing

Ref	LV38-1
E	16 3/16" (41.1cm)
F	53 13/16" (136.7cm)
J	Optional - Appliance does not need to be elevated above floor
*L	73" (185.4cm)

* Minimum enclosure height maybe higher depending on venting configuration (see minimum distance to combustibles).

Product information provided is not complete and is subject to change without notice. Please consult the installation manual for the most up to date installation information.

VECTOR™ 38 DIRECT VENT LINEAR GAS APPLIANCE



Product information provided is not complete and is subject to change without notice. Please consult the installation manual for the most up to date installation information.

Dimensions

single-sided

	LV38-1
A (Finishing Flange)	40 3/4" (1035mm)
B	53 5/16" (1354mm)
C	57 5/16" (1456mm)

see-thru

	LV38-1
A (Finishing Flange)	40 3/4" (1035mm)
B	53 5/16" (1354mm)
C	57 5/16" (1456mm)

*Finishing flange depth. (The finishing flange defines the perimeter of the fireplace opening. Framing or finishing materials must NEVER encroach inside the finishing flange.)

Wall Penetration

single-sided

note: Shaded components (finish framing) must be non-combustible materials.

note: The LV series requires a minimum enclosure height of 73" (185.4cm) measured from the bottom of the appliance. For temperature requirements, this area must be left unobstructed. Some venting configurations that require more vertical rise will require a larger enclosure to provide minimum vertical clearance between vent pipes and combustibles.

Horizontal vent sections: A minimum clearance of 3" (76mm) on the top outside of the enclosure and 2" (51mm) on the sides and bottom outside of the enclosure all around the vent pipe on all horizontal runs to combustibles is required. Horizontal vent sections within enclosures require a minimum clearance of 6" (152mm) at the top of the vent pipe.

Vertical vent sections: A minimum of 1" (25mm) all around the vent pipe on all vertical runs to combustibles is required except for clearances in appliances enclosures. Vertical vent sections within enclosures require a minimum clearance of 1" (25mm) around the vent pipe.

see-thru

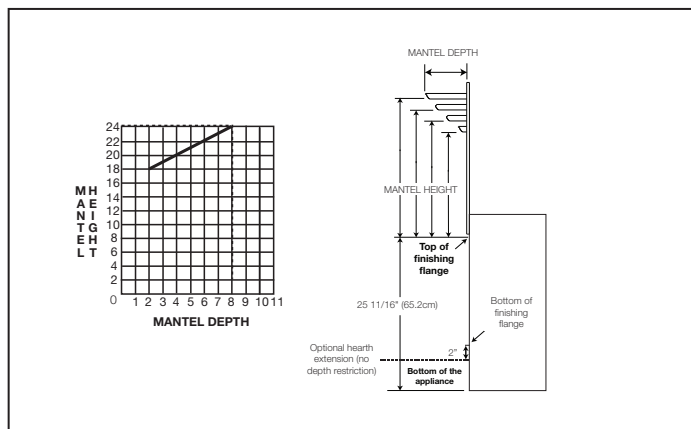
note: Shaded components (finish framing) must be non-combustible materials.

note: The LV series requires a minimum enclosure height of 73" (185.4cm) measured from the bottom of the appliance. For temperature requirements, this area must be left unobstructed. Some venting configurations that require more vertical rise will require a larger enclosure to provide minimum vertical clearance between vent pipes and combustibles.

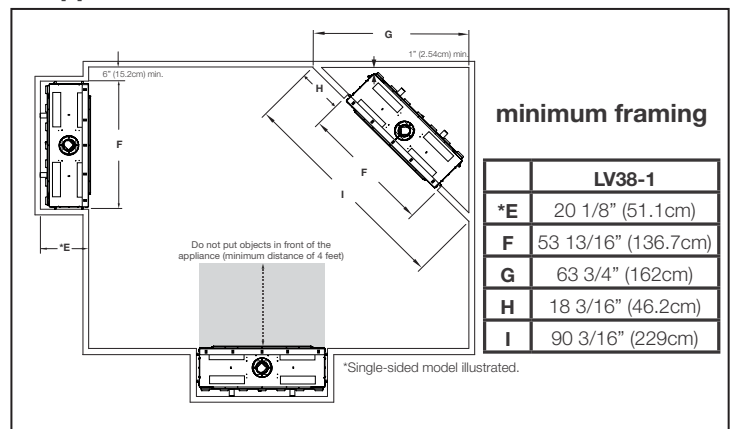
Horizontal vent sections: A minimum clearance of 3" (76mm) on the top outside of the enclosure and 2" (51mm) on the sides and bottom outside of the enclosure all around the vent pipe on all horizontal runs to combustibles is required. Horizontal vent sections within enclosures require a minimum clearance of 6" (152mm) at the top of the vent pipe.

Vertical vent sections: A minimum of 1" (25mm) all around the vent pipe on all vertical runs to combustibles is required except for clearances in appliances enclosures. Vertical vent sections within enclosures require a minimum clearance of 1" (25mm) around the vent pipe.

Combustible Mantel Clearances



Appliance Location



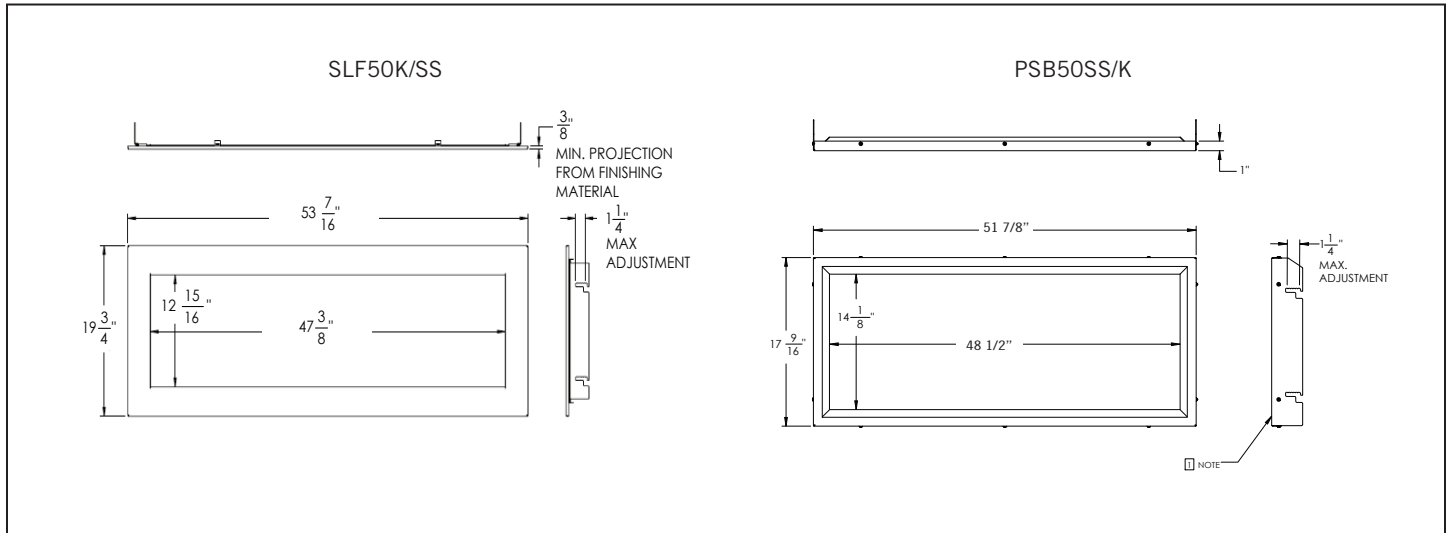
VECTOR™ 50 DIRECT VENT LINEAR GAS APPLIANCE



Specifications

Model	BTU	Width		Height		Depth		Viewing Area
		Actual	Framing	Actual	Framing	Actual	Framing	
LV50N-2	36,000	65 5/16	65 13/16	41 3/16	73	19 7/8	20 1/8	52 3/4 X 18 5/8
LV50N2-2	36,000	65 5/16	65 13/16	41 3/16	73	16 3/16	16 3/16	52 3/4 X 18 5/8

Front Options



Framing Dimensions

single-sided

note:
Before framing the appliance, ensure to install the firestop first.

note:
The LV series requires a minimum enclosure height of 73" measured from the bottom of the appliance. For temperature requirements, this area must be left unobstructed. Some venting configurations that require more vertical rise will require a larger enclosure to provide minimum vertical clearance between vent pipes and combustibles.

minimum framing

Ref	LV50-2
E	20 1/8" (51.1cm)
F	65 13/16" (167.2cm)
J	Optional - Appliance does not need to be elevated above floor
*L	73" (185.4cm)

see-thru

note:
Before framing the appliance, ensure to install the firestop first as it will not fit between the studs if installed after framing.

note:
The LV series requires a minimum enclosure height of 73" measured from the bottom of the appliance. For temperature requirements, this area must be left unobstructed. Some venting configurations that require more vertical rise will require a larger enclosure to provide minimum vertical clearance between vent pipes and combustibles.

minimum framing

Ref	LV50-2
E	16 3/16" (41.1cm)
F	65 13/16" (167.2cm)
J	Optional - Appliance does not need to be elevated above floor
*L	73" (185.4cm)

* Minimum enclosure height maybe higher depending on venting configuration (see minimum distance to combustibles).

Product information provided is not complete and is subject to change without notice. Please consult the installation manual for the most up to date installation information.

VECTOR™ 50 DIRECT VENT LINEAR GAS APPLIANCE



Product information provided is not complete and is subject to change without notice. Please consult the installation manual for the most up to date installation information.

Dimensions

single-sided

	LV50-2
A (Finishing Flange)	52 3/4" (1340mm)
B	65 5/16" (1659mm)
C	69 5/16" (1761mm)

see-thru

	LV50-2
A (Finishing Flange)	52 3/4" (1340mm)
B	65 5/16" (1659mm)
C	69 5/16" (1761mm)

*Finishing flange depth. (The finishing flange defines the perimeter of the fireplace opening. Framing or finishing materials must NEVER encroach inside the finishing flange.)

Wall Penetration

single-sided

Horizontal vent sections: A minimum clearance of 3" (76mm) on the top outside of the enclosure and 2" (51mm) on the sides and bottom outside of the enclosure all around the vent pipe on all horizontal runs to combustibles is required. Horizontal vent sections within enclosures require a minimum clearance of 6" (152mm) at the top of the vent pipe.

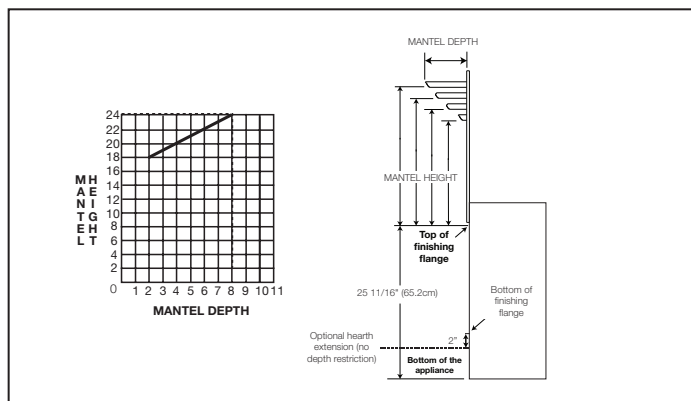
Vertical vent sections: A minimum of 1" (25mm) all around the vent pipe on all vertical runs to combustibles is required except for clearances in appliances enclosures. Vertical vent sections within enclosures require a minimum clearance of 1" (25mm) around the vent pipe.

see-thru

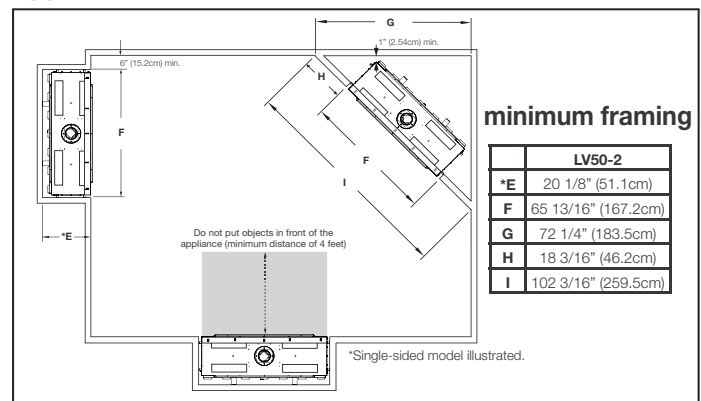
Horizontal vent sections: A minimum clearance of 3" (76mm) on the top outside of the enclosure and 2" (51mm) on the sides and bottom outside of the enclosure all around the vent pipe on all horizontal runs to combustibles is required. Horizontal vent sections within enclosures require a minimum clearance of 6" (152mm) at the top of the vent pipe.

Vertical vent sections: A minimum of 1" (25mm) all around the vent pipe on all vertical runs to combustibles is required except for clearances in appliances enclosures. Vertical vent sections within enclosures require a minimum clearance of 1" (25mm) around the vent pipe.

Combustible Mantel Clearances



Appliance Location



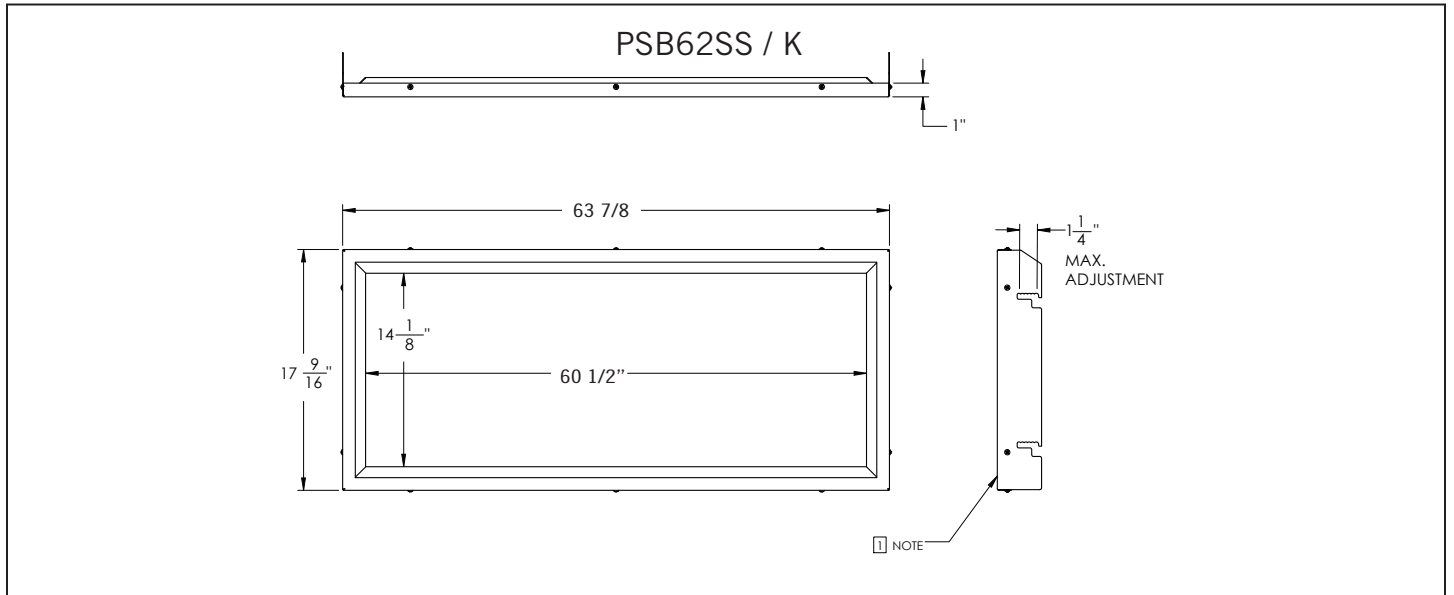
VECTOR™ 62 DIRECT VENT LINEAR GAS APPLIANCE



Specifications

Model	BTU	Width		Height		Depth		Viewing Area
		Actual	Framing	Actual	Framing	Actual	Framing	
LV62N	42,000	77 5/16	77 13/16	41 3/16	91	19 7/8	20 1/8	64 3/4 X 18 5/8
LV62N2	42,000	77 5/16	77 13/16	41 3/16	91	16 3/16	16 3/16	64 3/4 X 18 5/8

Front Options



Framing Dimensions

single-sided

note:
Before framing the appliance, ensure to install the firestop first.

note:
The LV series requires a minimum enclosure height of 91" measured from the bottom of the appliance. For temperature requirements, this area must be left unobstructed. Some venting configurations that require more vertical rise will require a larger enclosure to provide minimum vertical clearance between vent pipes and combustibles.

minimum framing

Ref	LV62
E	20 1/8" (51.1cm)
F	77 13/16" (197.6cm)
J	Optional - Appliance does not need to be elevated above floor
*L	91" (231.1cm)

see-thru

note:
Before framing the appliance, ensure to install the firestop first as it will not fit between the studs if installed after framing.

note:
The LV series requires a minimum enclosure height of 91" measured from the bottom of the appliance. For temperature requirements, this area must be left unobstructed. Some venting configurations that require more vertical rise will require a larger enclosure to provide minimum vertical clearance between vent pipes and combustibles.

minimum framing

Ref	LV62
E	16 3/16" (41.1cm)
F	77 13/16" (197.6cm)
J	Optional - Appliance does not need to be elevated above floor
*L	91" (231.1cm)

* Minimum enclosure height maybe higher depending on venting configuration (see minimum distance to combustibles).

Product information provided is not complete and is subject to change without notice. Please consult the installation manual for the most up to date installation information.

VECTOR™ 62 DIRECT VENT LINEAR GAS APPLIANCE



Product information provided is not complete and is subject to change without notice. Please consult the installation manual for the most up to date installation information.

Dimensions

single-sided

	LV62
A	64 3/4" (1645mm)
B	77 5/16" (1964mm)
C	81 5/16" (2065mm)

see-thru

	LV62
A	64 3/4" (1645mm)
B	77 5/16" (1964mm)
C	81 5/16" (2065mm)

*Finishing flange depth. (The finishing flange defines the perimeter of the fireplace opening. Framing or finishing materials must NEVER encroach inside the finishing flange.)

Wall Penetration

single-sided

Horizontal vent sections: A minimum clearance of 3" (76mm) on the top outside of the enclosure and 2" (51mm) on the sides and bottom outside of the enclosure all around the vent pipe on all horizontal runs to combustibles is required. Horizontal vent sections within enclosures require a minimum clearance of 6" (152mm) at the top of the vent pipe.

Vertical vent sections: A minimum of 1" (25mm) all around the vent pipe on all vertical runs to combustibles is required except for clearances in appliances enclosures. Vertical vent sections within enclosures require a minimum clearance of 1" (25mm) around the vent pipe.

see-thru

Horizontal vent sections: A minimum clearance of 3" (76mm) on the top outside of the enclosure and 2" (51mm) on the sides and bottom outside of the enclosure all around the vent pipe on all horizontal runs to combustibles is required. Horizontal vent sections within enclosures require a minimum clearance of 6" (152mm) at the top of the vent pipe.

Vertical vent sections: A minimum of 1" (25mm) all around the vent pipe on all vertical runs to combustibles is required except for clearances in appliances enclosures. Vertical vent sections within enclosures require a minimum clearance of 1" (25mm) around the vent pipe.

Combustible Mantel Clearances

Mantel Height (MH) vs. Mantel Depth (MT) graph. The graph shows a linear relationship where MH increases from approximately 18 inches at 1 inch depth to 24 inches at 10 inches depth.

Mantel dimensions: Mantel Depth, Mantel Height, Top of finishing flange, Bottom of finishing flange, Bottom of the appliance, Optional hearth extension (no depth restriction).

Appliance Location

	LV62
E	20 1/8" (51.1cm)
F	77 13/16" (197.6cm)
G	80 11/16" (205cm)
H	18 3/16" (46.2cm)
I	114 1/8" (289.9cm)

Do not put objects in front of the appliance (minimum distance of 4 feet)

*Single-sided model illustrated.

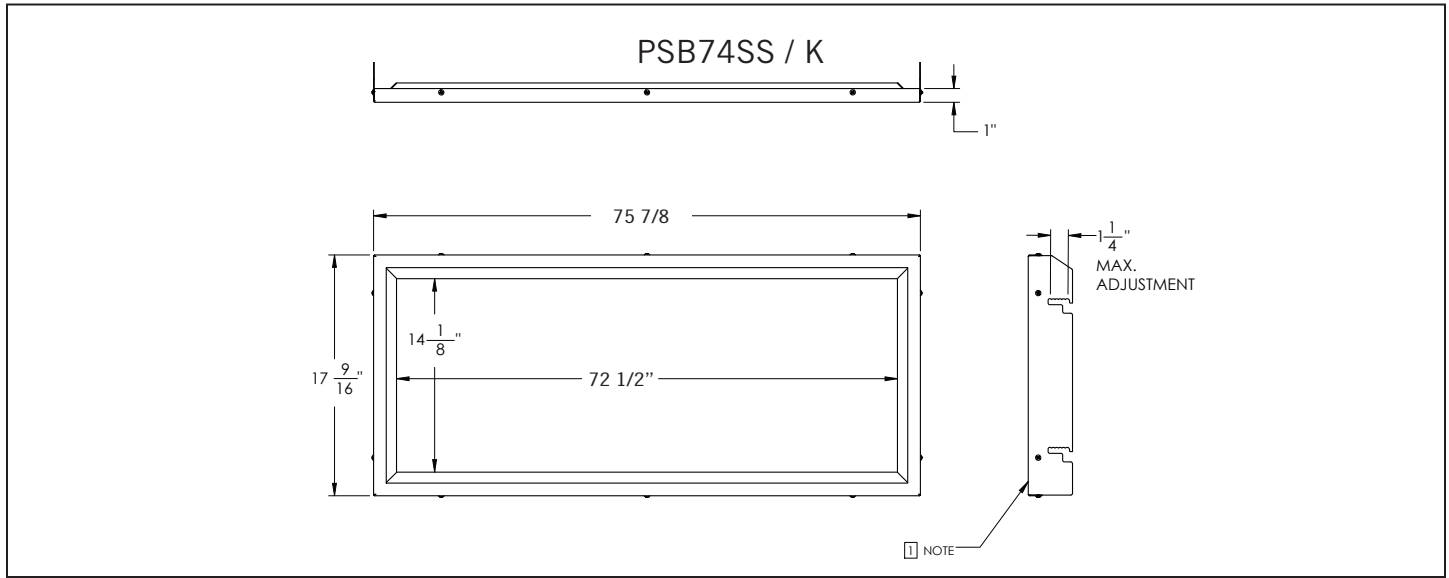
VECTOR™ 74 DIRECT VENT LINEAR GAS APPLIANCE



Specifications

Model	BTU	Width		Height		Depth		Viewing Area
		Actual	Framing	Actual	Framing	Actual	Framing	
LV74N	48,000	89 5/16	89 13/16	41 3/16	91	19 7/8	20 1/8	76 3/4 X 18 5/8
LV74N2	48,000	89 5/16	89 13/16	41 3/16	91	16 3/16	16 3/16	76 3/4 X 18 5/8

Front Options



Framing Dimensions

single-sided

note:
Before framing the appliance, ensure to install the firestop first.

note:
The LV series requires a minimum enclosure height of 91" measured from the bottom of the appliance. For temperature requirements, this area must be left unobstructed. Some venting configurations that require more vertical rise will require a larger enclosure to provide minimum vertical clearance between vent pipes and combustibles.

minimum framing

Ref	LV74
E	20 1/8" (51.1cm)
F	89 13/16" (228.1cm)
J	Optional - Appliance does not need to be elevated above floor
*L	91" (231.1cm)

see-thru

note:
Before framing the appliance, ensure to install the firestop first as it will not fit between the studs if installed after framing.

note:
The LV series requires a minimum enclosure height of 91" measured from the bottom of the appliance. For temperature requirements, this area must be left unobstructed. Some venting configurations that require more vertical rise will require a larger enclosure to provide minimum vertical clearance between vent pipes and combustibles.

minimum framing

Ref	LV74
E	16 3/16" (41.1cm)
F	89 13/16" (228.1cm)
J	Optional - Appliance does not need to be elevated above floor
*L	91" (231.1cm)

* Minimum enclosure height maybe higher depending on venting configuration (see minimum distance to combustibles).

Product information provided is not complete and is subject to change without notice. Please consult the installation manual for the most up to date installation information.

W415-1876 / A / 02.04.19

VECTOR™ 74 DIRECT VENT LINEAR GAS APPLIANCE



Product information provided is not complete and is subject to change without notice. Please consult the installation manual for the most up to date installation information.

Dimensions

single-sided

	LV74
A (Finishing Flange)	76 3/4" (1949mm)
B	89 5/16" (2269mm)
C	93 5/16" (2370mm)

see-thru

	LV74
A (Finishing Flange)	76 3/4" (1949mm)
B	89 5/16" (2269mm)
C	93 5/16" (2370mm)

*Finishing flange depth. (The finishing flange defines the perimeter of the fireplace opening. Framing or finishing materials must NEVER encroach inside the finishing flange.)

Wall Penetration

single-sided

Horizontal vent sections: A minimum clearance of 3" (76mm) on the top outside of the enclosure and 2" (51mm) on the sides and bottom outside of the enclosure all around the vent pipe on all horizontal runs to combustibles is required. Horizontal vent sections within enclosures require a minimum clearance of 6" (152mm) at the top of the vent pipe.

Vertical vent sections: A minimum of 1" (25mm) all around the vent pipe on all vertical runs to combustibles is required except for clearances in appliances enclosures. Vertical vent sections within enclosures require a minimum clearance of 1" (25mm) around the vent pipe.

see-thru

Horizontal vent sections: A minimum clearance of 3" (76mm) on the top outside of the enclosure and 2" (51mm) on the sides and bottom outside of the enclosure all around the vent pipe on all horizontal runs to combustibles is required. Horizontal vent sections within enclosures require a minimum clearance of 6" (152mm) at the top of the vent pipe.

Vertical vent sections: A minimum of 1" (25mm) all around the vent pipe on all vertical runs to combustibles is required except for clearances in appliances enclosures. Vertical vent sections within enclosures require a minimum clearance of 1" (25mm) around the vent pipe.

Combustible Mantel Clearances

Mantel Height (MH) vs Mantel Depth (MD) grid:

Mantel Depth (MD)	Mantel Height (MH)
1	16
2	18
3	20
4	22
5	24

Mantel dimensions: Mantel Depth, Mantel Height, Top of finishing flange, Bottom of finishing flange, Bottom of the appliance. Optional hearth extension (no depth restriction).

Appliance Location

	LV74
*E	20 1/8" (51.1cm)
F	89 13/16" (228.1cm)
G	89 1/4" (226.6cm)
H	18 3/16" (46.2cm)
I	126 1/8" (320.4cm)

*Single-sided model illustrated.