

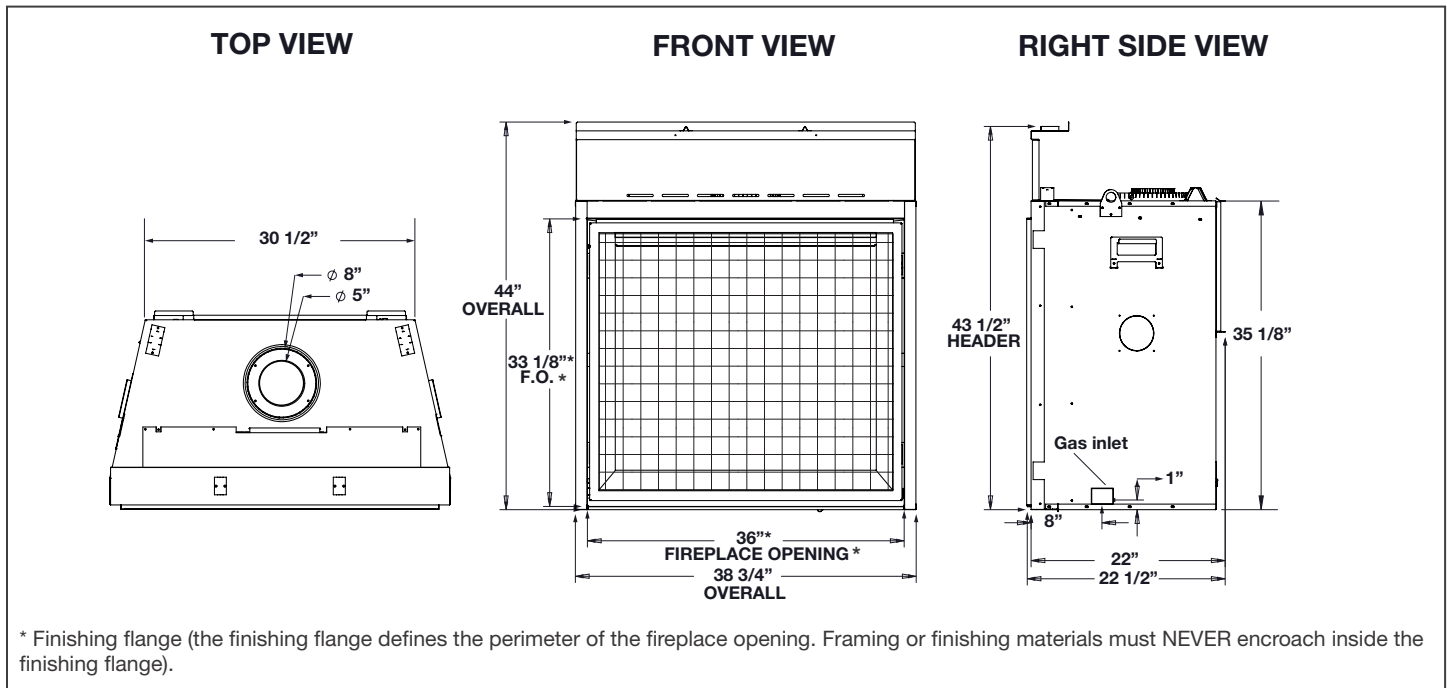
# ELEVATION™ X 36 DIRECT VENT GAS FIREPLACE



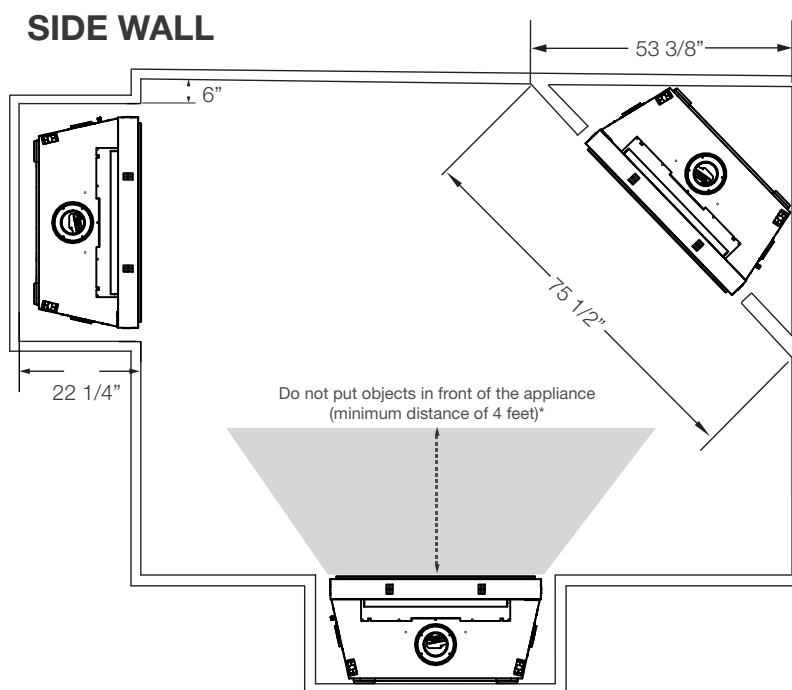
## Specifications

Model	BTU	Width		Height		Depth		Glass Size
		Actual	Framing	Actual	Framing	Actual	Framing	
EX36NTEL	37,000	38 3/4"	39 3/4"	44"	44 1/4"	22"	22 1/4"	27" x 32 1/4"
EX36PTEL	34,000							

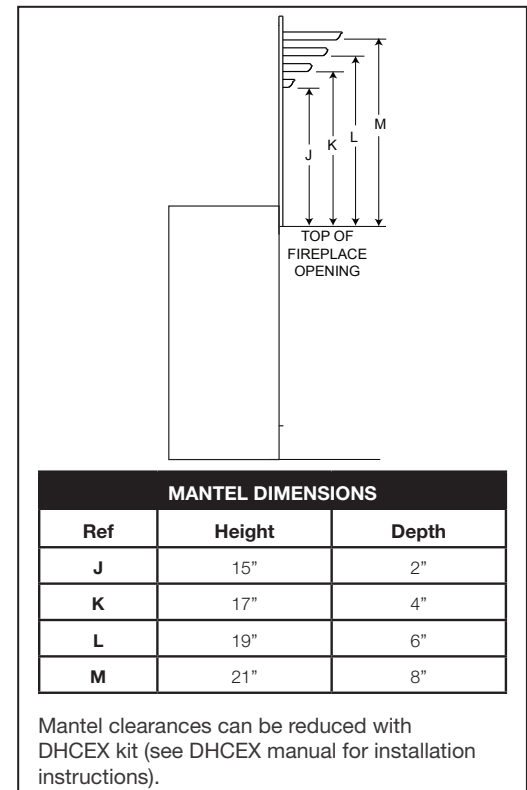
## Dimensions



## Appliance Location



## Combustible Mantel Clearances



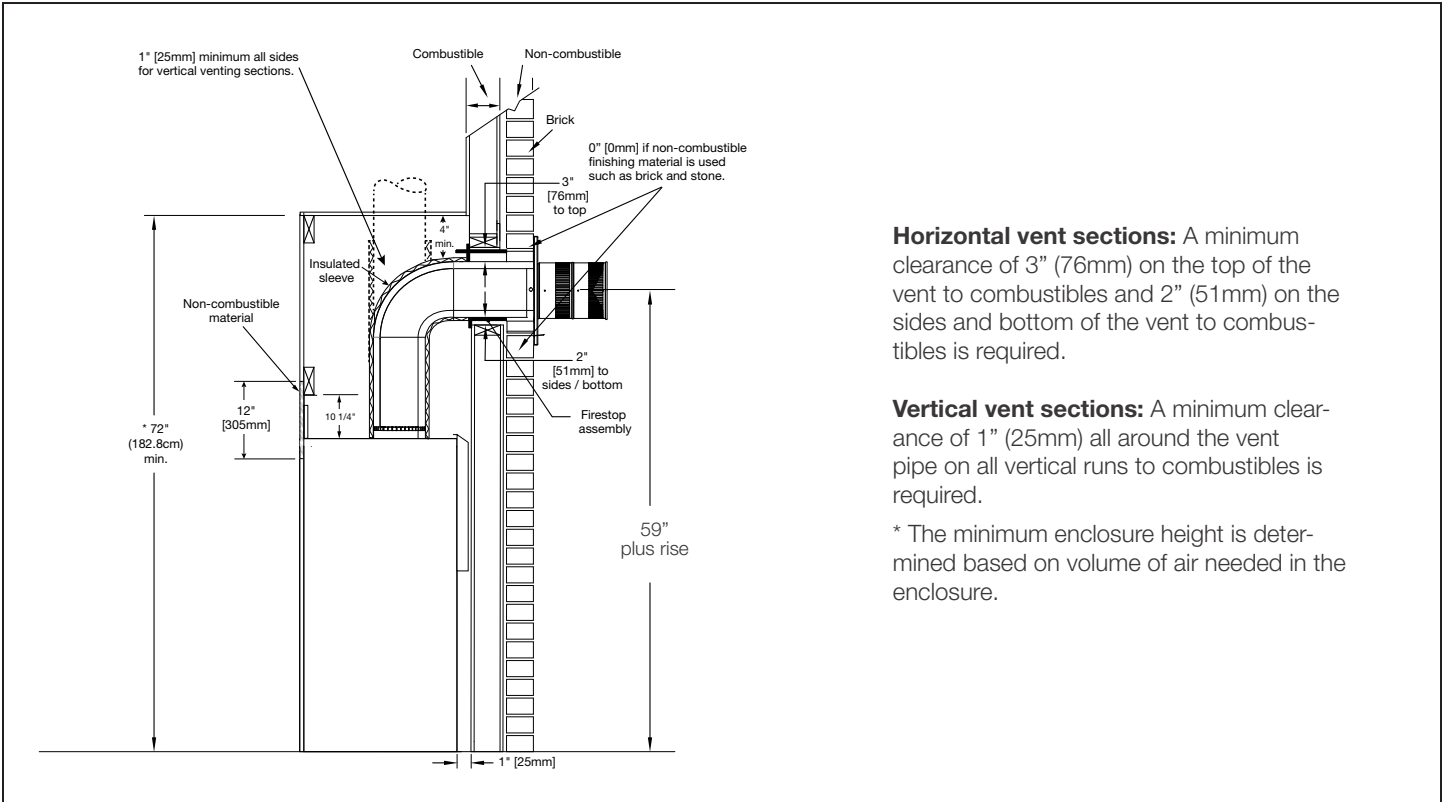
W415-2776 / C / 09.27.21

# ELEVATION™ X 36 DIRECT VENT GAS FIREPLACE

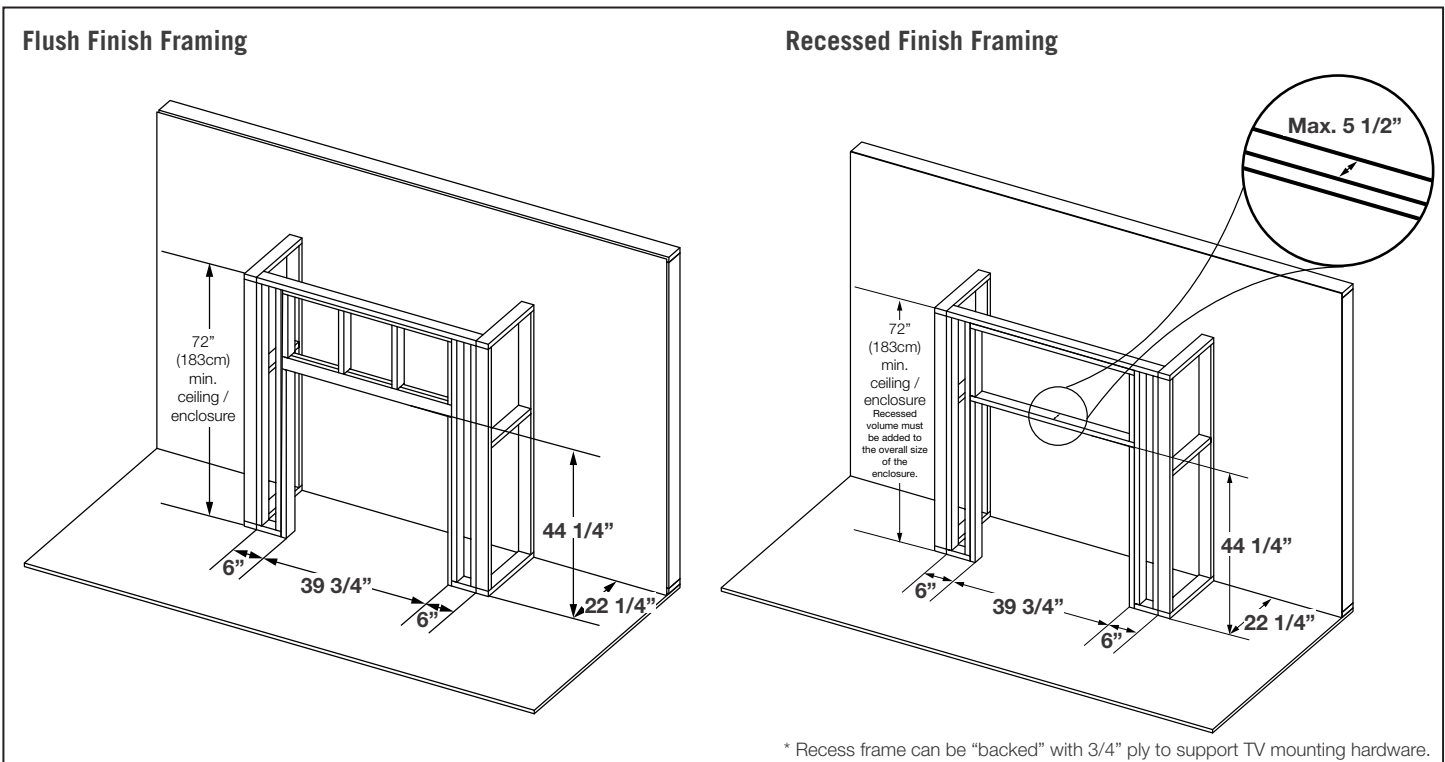


Product information provided is not complete and is subject to change without notice. Please consult the installation manual for the most up to date installation information.

## Wall Penetration



## Framing



W415-2776 / C / 09.27.21

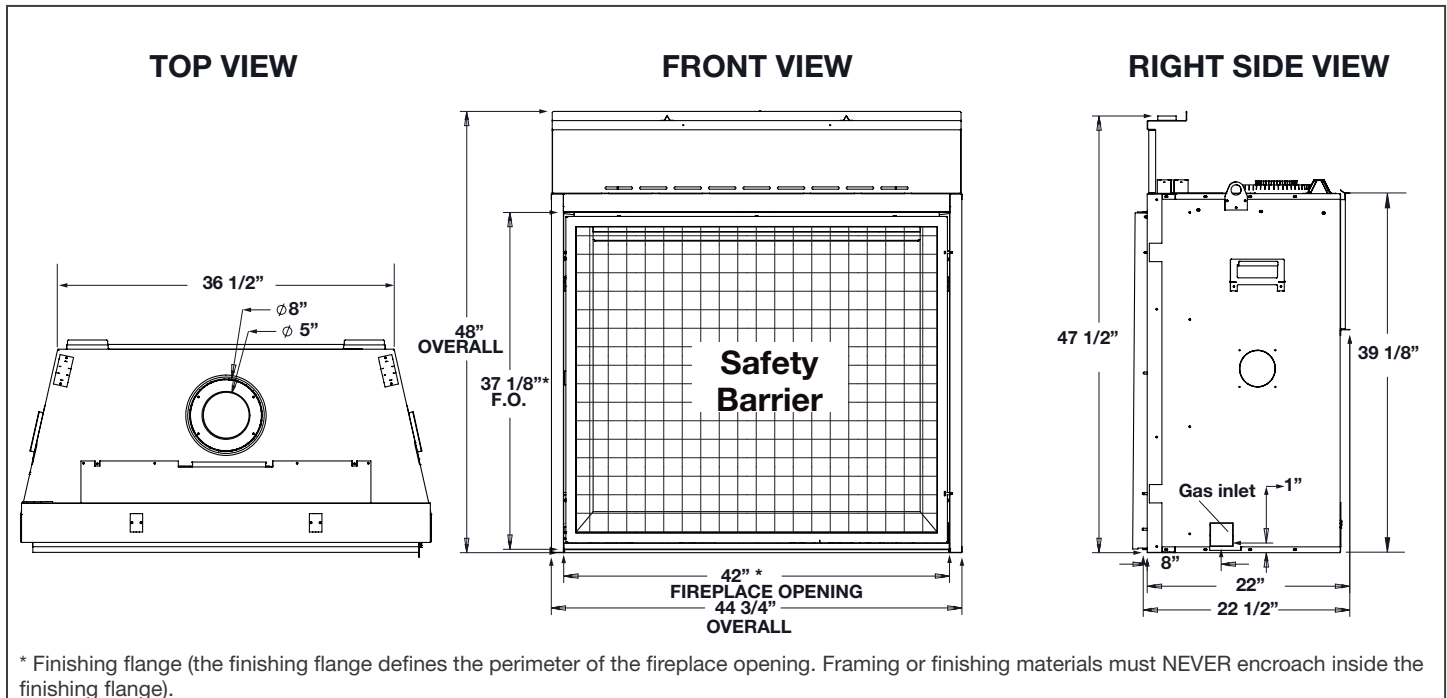
# ELEVATION™ X 42 DIRECT VENT GAS FIREPLACE



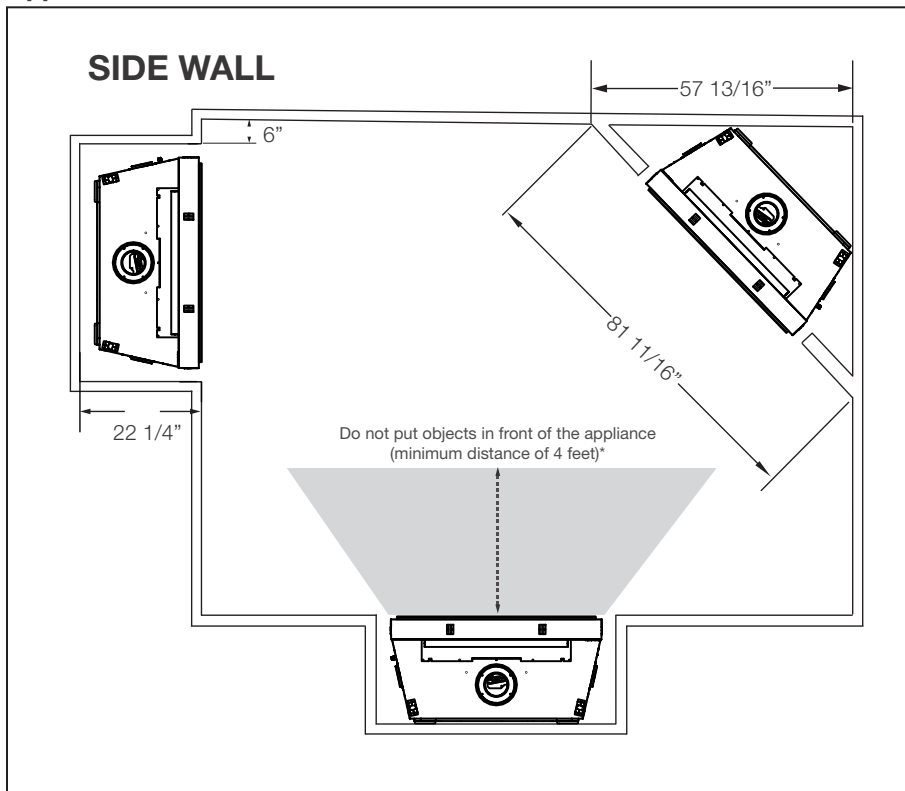
## Specifications

Model	BTU	Width		Height		Depth		Glass Size
		Actual	Framing	Actual	Framing	Actual	Framing	
EX42NTEL	45,000	44 3/4"	45 3/4"	47 1/2"	48 1/4"	22"	22 1/4"	31" x 38 1/4"
EX42PTEL	39,000							

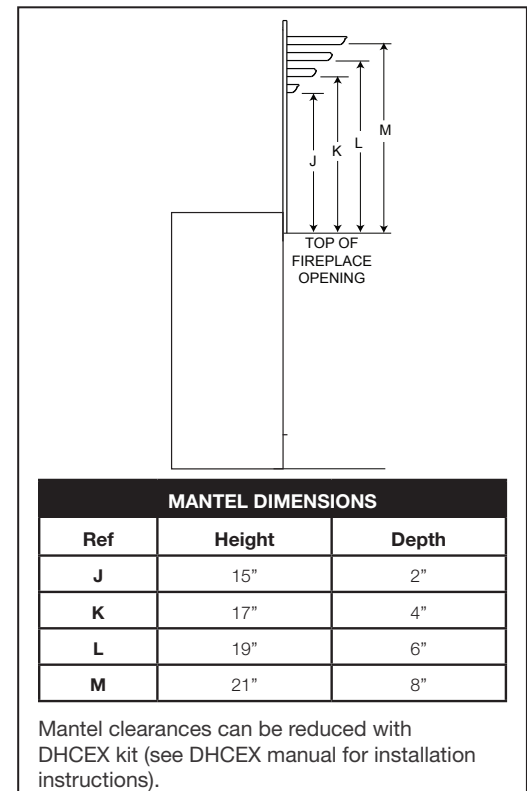
## Dimensions



## Appliance Location



## Combustible Mantel Clearances



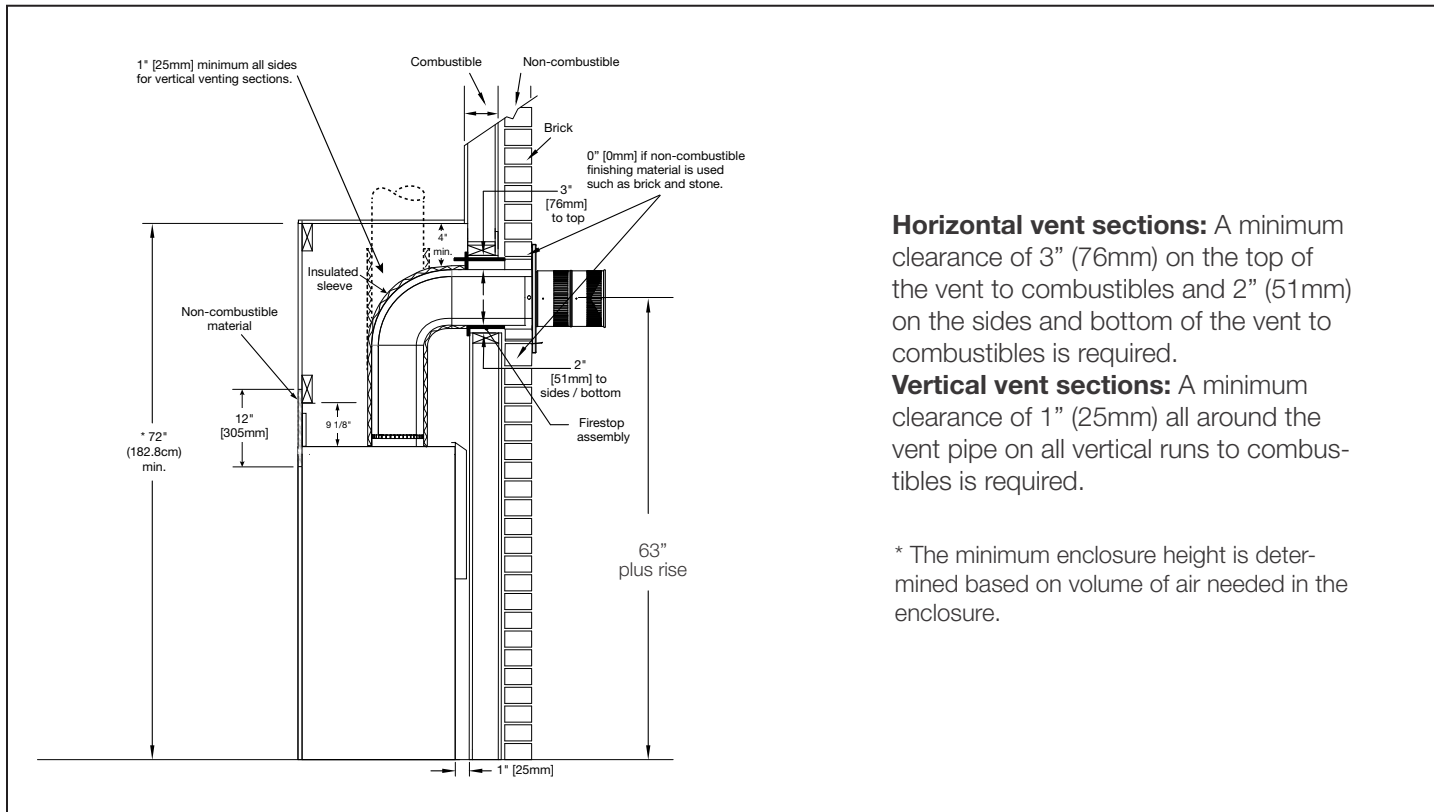
W415-2777 / E-0 / 11.13.24

# ELEVATION™ X 42 DIRECT VENT GAS FIREPLACE



Product information provided is not complete and is subject to change without notice. Please consult the installation manual for the most up to date installation information.

## Wall Penetration



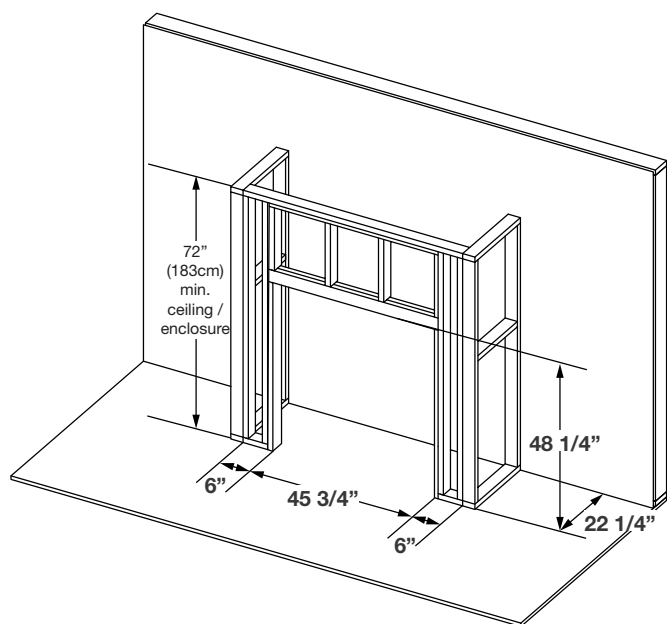
**Horizontal vent sections:** A minimum clearance of 3" (76mm) on the top of the vent to combustibles and 2" (51mm) on the sides and bottom of the vent to combustibles is required.

**Vertical vent sections:** A minimum clearance of 1" (25mm) all around the vent pipe on all vertical runs to combustibles is required.

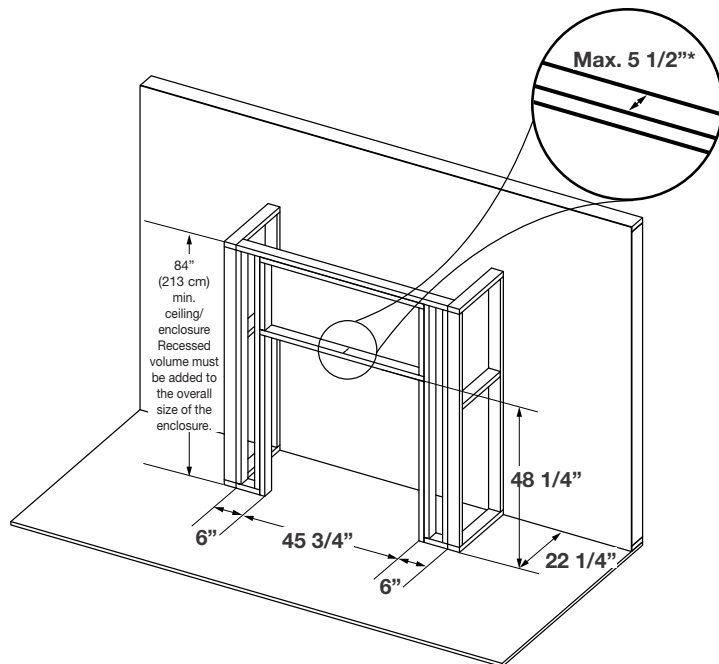
\* The minimum enclosure height is determined based on volume of air needed in the enclosure.

## Framing

### Flush Finish Framing



### Recessed Finish Framing



\* Recess frame can be "backed" with 3/4" ply to support TV mounting hardware.

W415-2777 / E-0 / 11.13.24